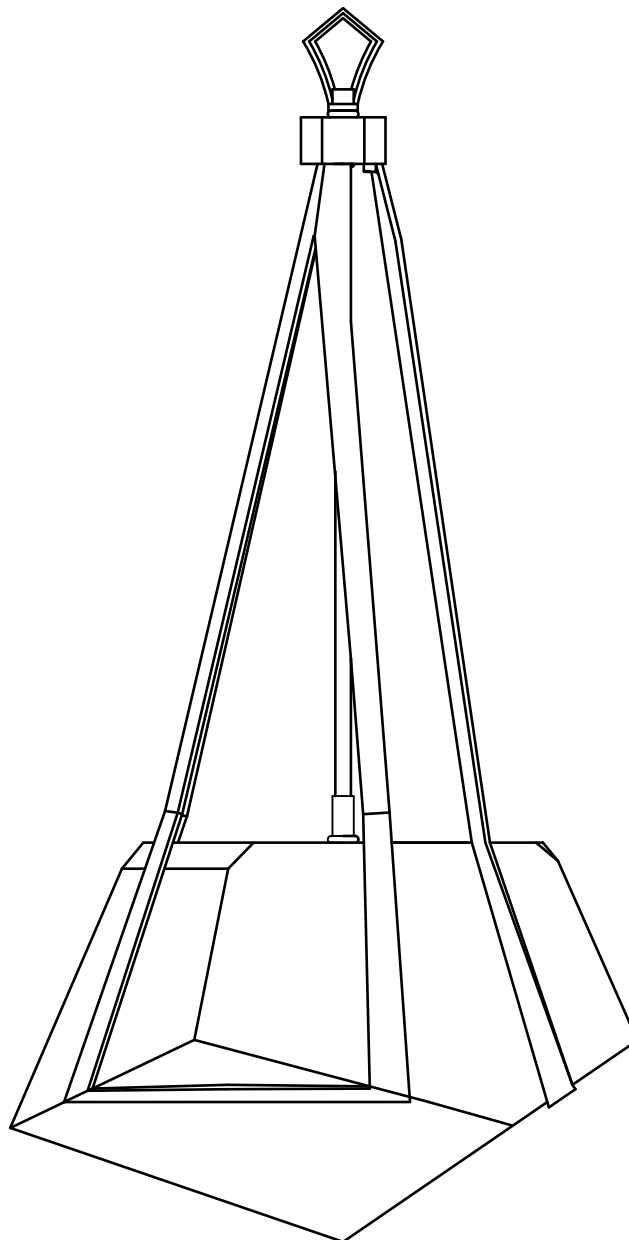




PRODUCT NAME: BOULDER

ITEM NUMBER: 30144BZGTGLD

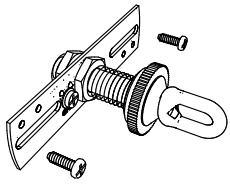
Please consult your electrician for hanging fixture and wiring.



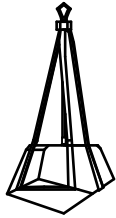
This fixture is designed to dim with an Electronic Low Voltage dimmer. Dimming levels will vary by dimmer. Below is a list of recommended dimmers:
Lutron DVELV-330P
Lutron MAELV-600M
Lutron SAELV-153P
Leviton IPL06-10Z
Leviton 6674-POW
Legrand Tru-Universal ADTP703TUW4
Due to inrush current wattage should not exceed 150 watts of product for a 600 watt dimmer.

LED 1X32W (Bulb included)

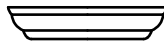
IMPORTANT: Turn off the power at the main fuse or circuit breaker box before starting installation.



Mounting Strap (A)



Body (B)

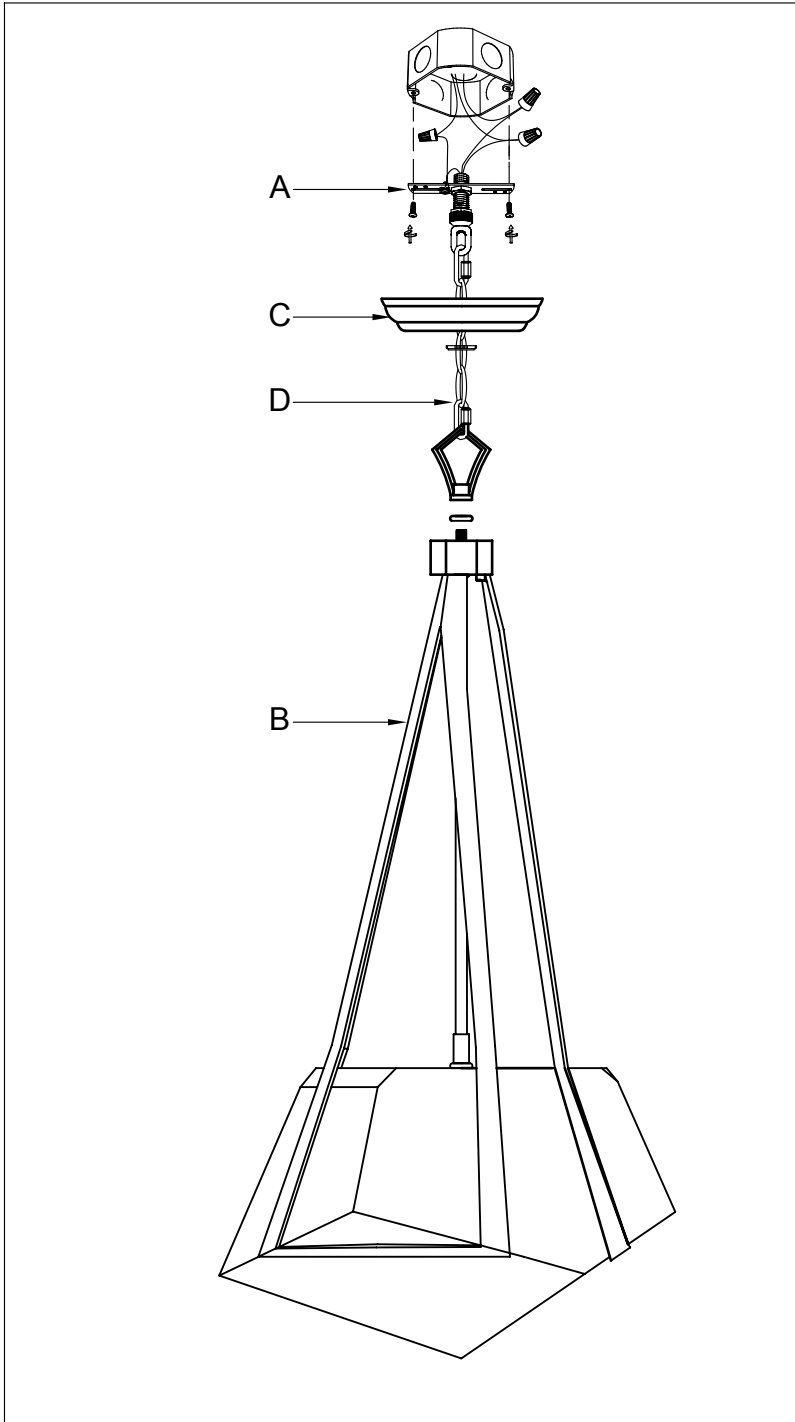


Canopy (C)

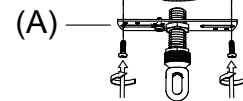


Chain (D)

Locate all hardware & components before discarding packaging

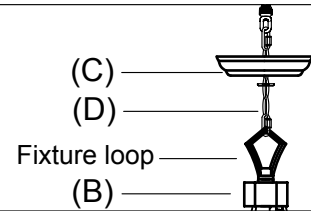


1.



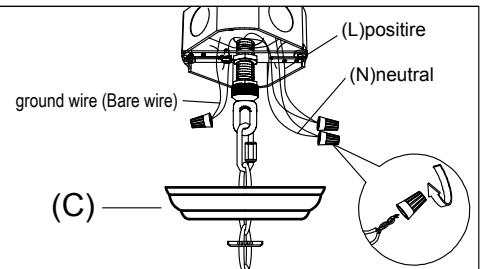
Step.1: Remove mounting Strap (A) from fixture and install to electrical box.

2.



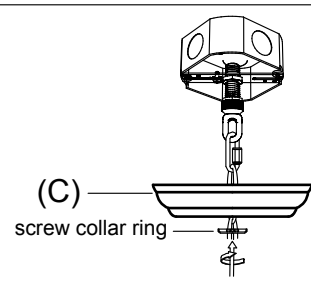
Step.3: Install fixture loop. Connect chain (D) to fixture loop and screw collar loop with key link. Thread fixture wire through the chain (D) into outlet box.

3.



Step.4: Wire fixture to wires in outlet box. Bare wire is for Ground.

4.



Step.5: Raise Canopy (C) to ceiling and secure with screw collar ring.

Cleaning & Care:

Clean with soft cloth and a mild detergent.
Do not use abrasive cleaner.