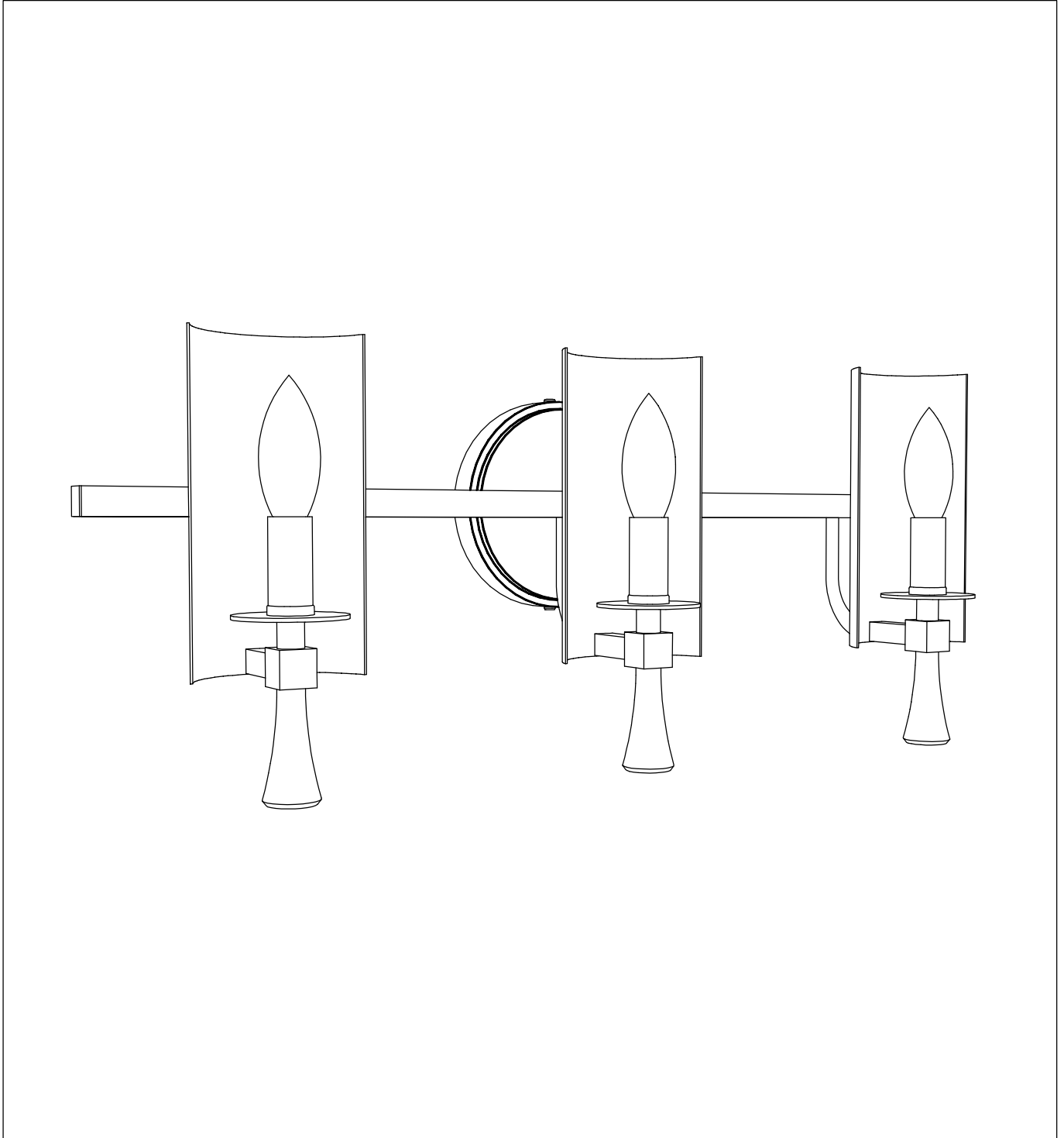




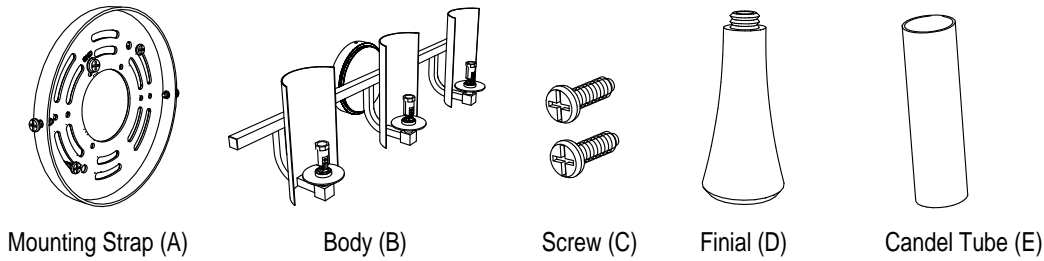
PRODUCT NAME: CANDELLA 3LT VANITY
ITEM NUMBER: 30293CHBGLD

Please consult your electrician for hanging fixture and wiring.

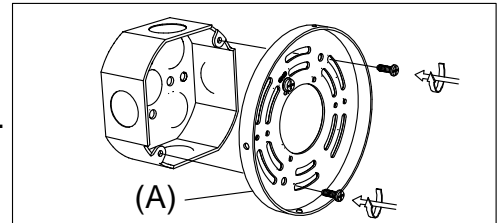
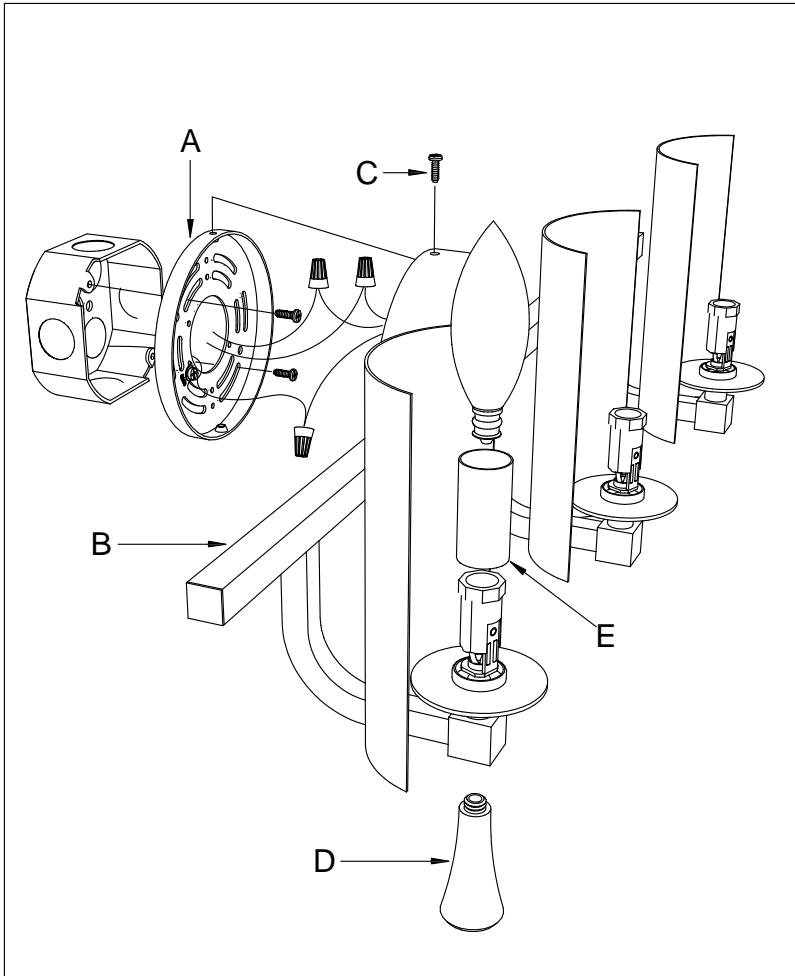


E12 3X60W

IMPORTANT: Turn off the power at the main fuse or circuit breaker box before starting installation.

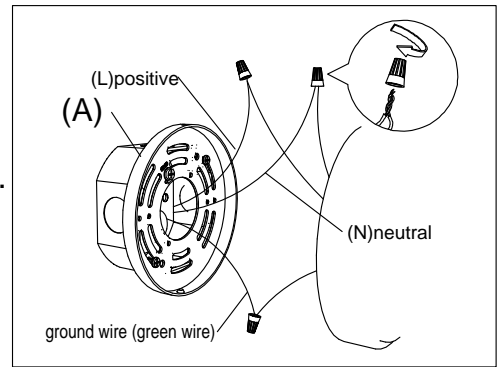


Locate all hardware & components before discarding packaging



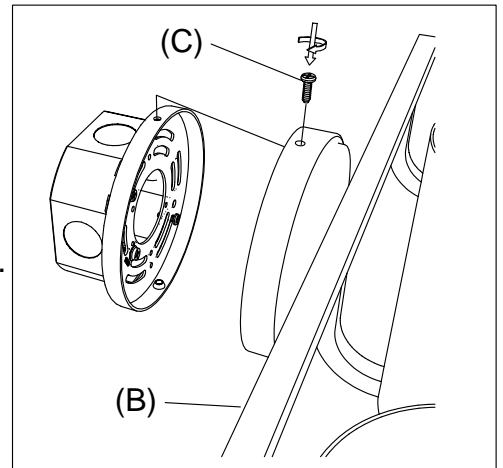
1).

Step.1: Remove mounting bracket (A) from fixture and install to electrical box.



2).

Step.2: Wire fixture to wires in outlet box. Copper wire is for Ground.



3).

Step.3: Install body (B) to the outlet box and secure with screw(C). Install finial (D) on the body. Place the Candle Tube (E) over the socket, Install light bulb.

Cleaning & Care:
Clean with soft cloth and a mild detergent.
Do not use abrasive cleaner.