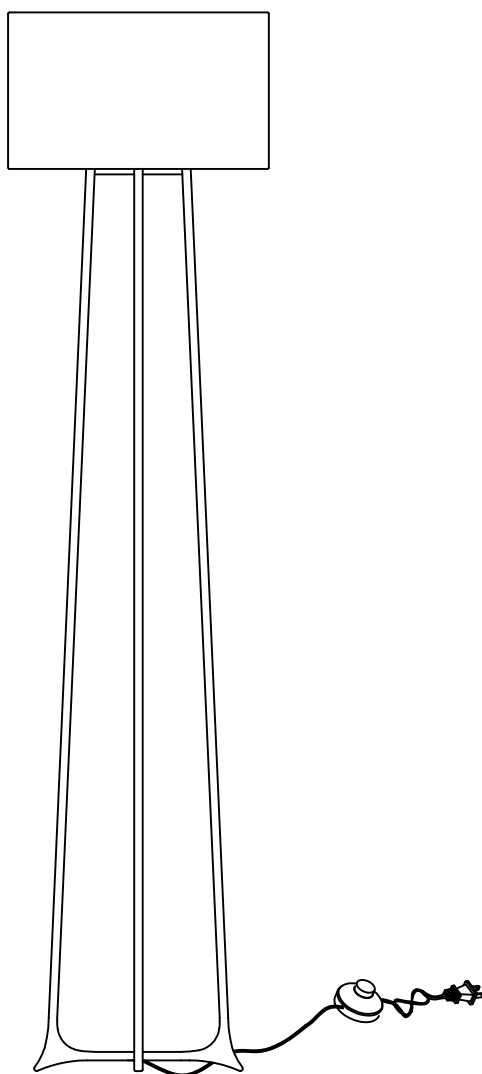




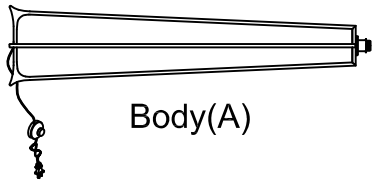
PRODUCT NAME: Anvil 1-Light Floor Lamp
ITEM NUMBER: 30309

Please consult a qualified electrician for hanging fixture and wiring.

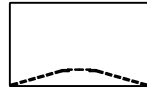


Bulb (not included): 1*100W E26 Bulb

IMPORTANT: Turn off the power at the main fuse or circuit breaker box before starting installation



Body(A)

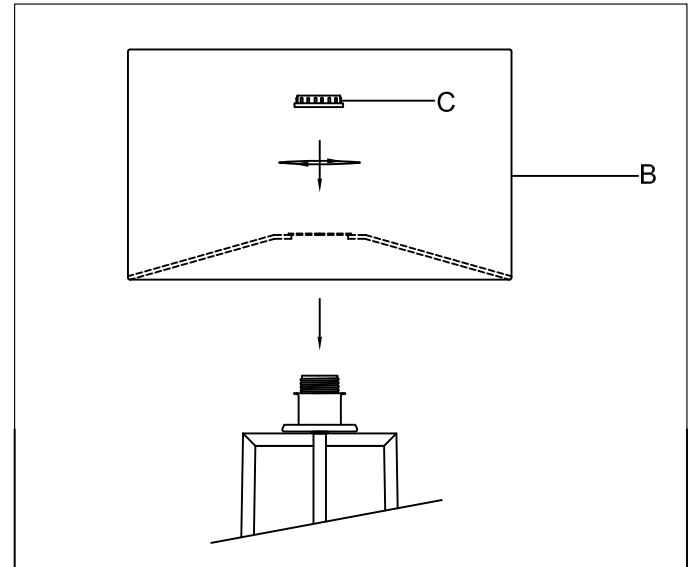
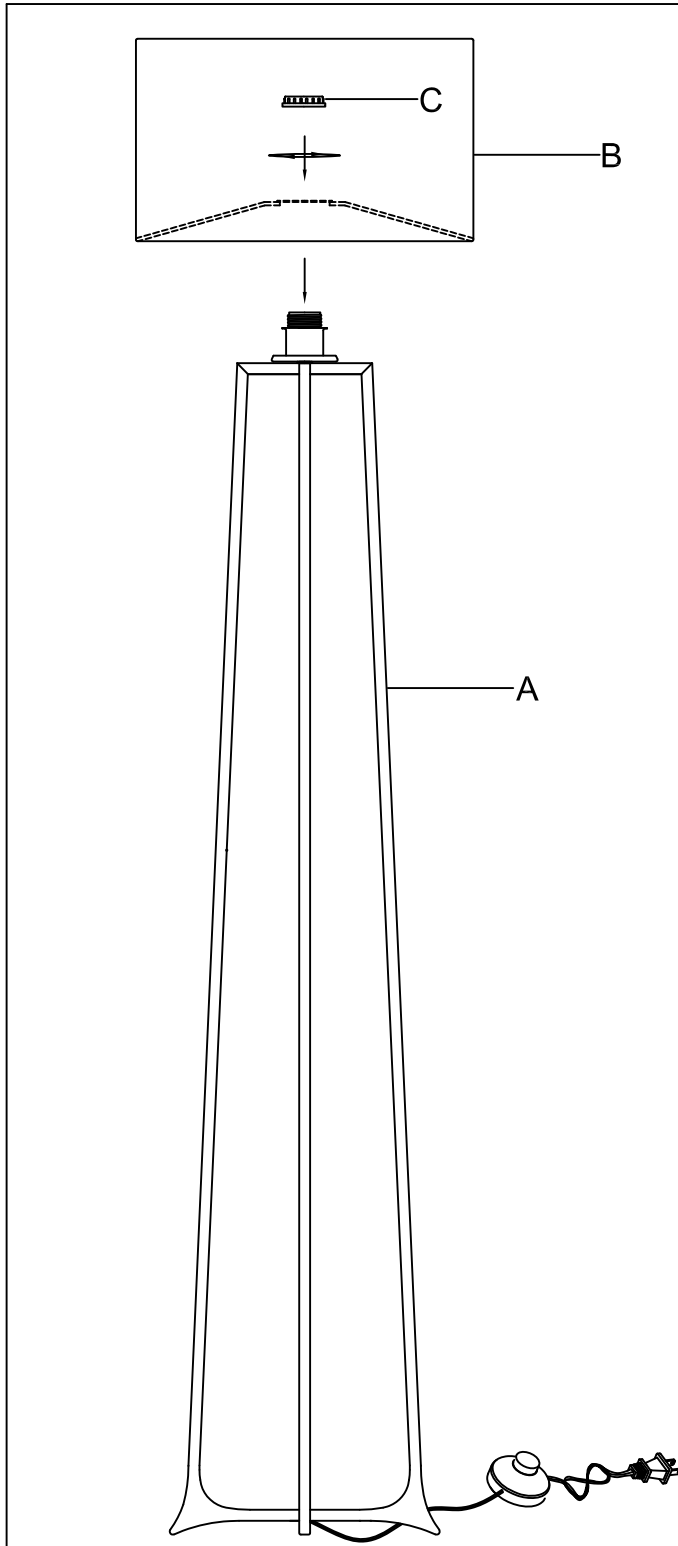


Shade(B)



Socket ring(C)

Locate all hardware & components before discarding packaging



- Step1. Attach shade (B) using screw ring (C) provided.
2. Install 1 max 100W E26 bulb into socket.

Cleaning & Care:
Clean with soft cloth and a mild detergent.
Do not use abrasive cleaner