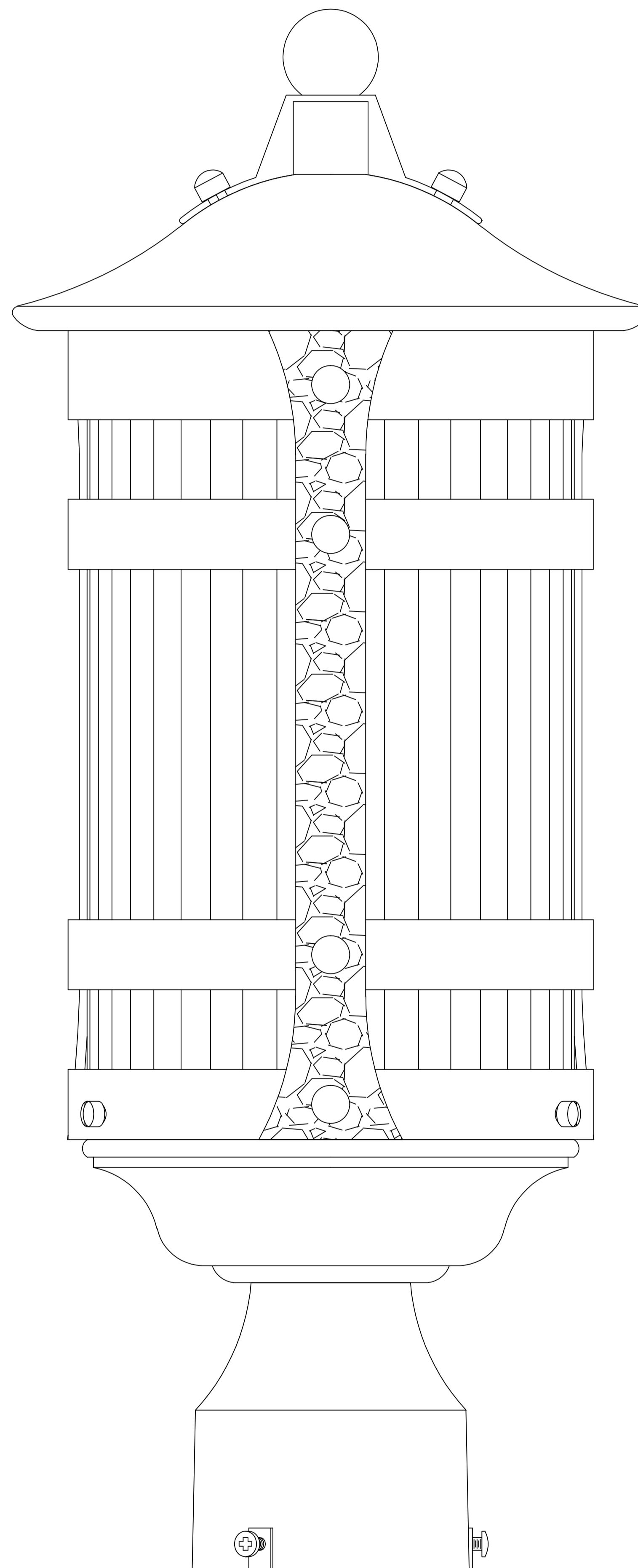




PRODUCT NAME: Casa Grande
ITEM NUMBER: 3120

Please consult your electrician for hanging fixture and wiring.



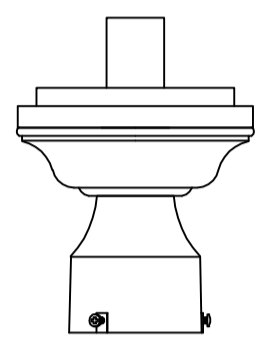
To prevent water intrusion, caulk around back-plate where fixture meets the wall using outdoor silicone sealant. Leave a small gap at the bottom to allow moisture to exit.

Bulb(not included): MB 1×60W

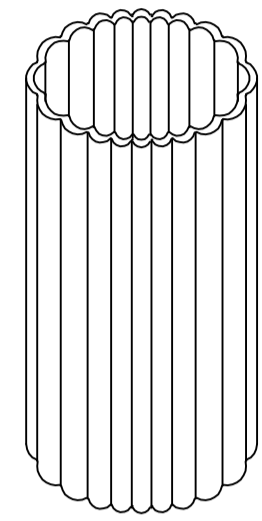
PRODUCT NAME: Casa Grande

ITEM NUMBER: 3120

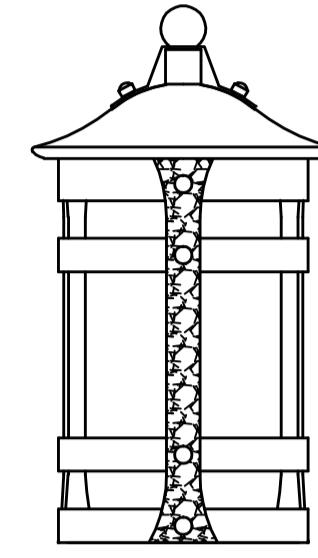
IMPORTANT: Turn off the power at the main fuse or circuit breaker box before starting installation.



Fixture(A)



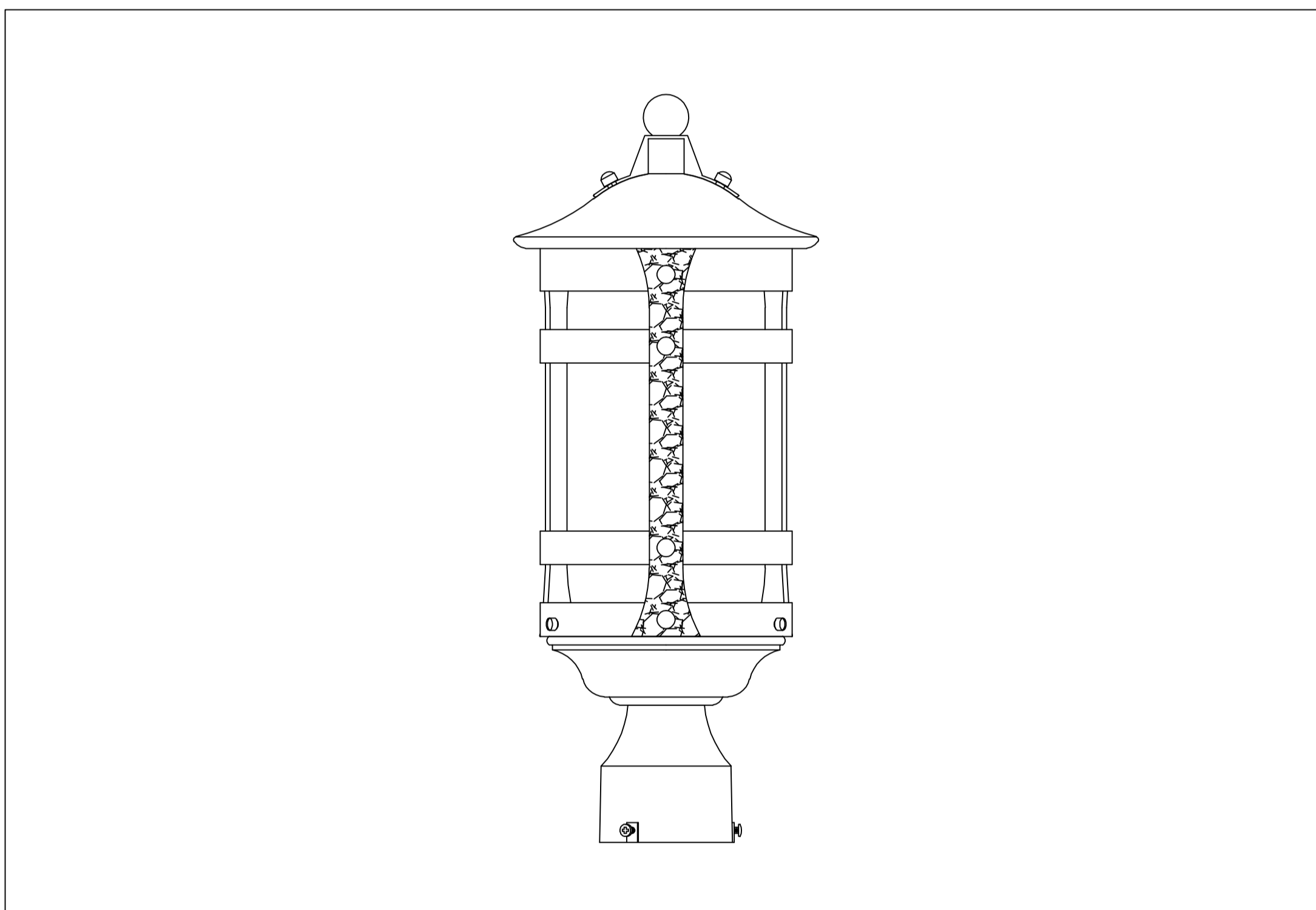
Glass (B)



Cage (C)

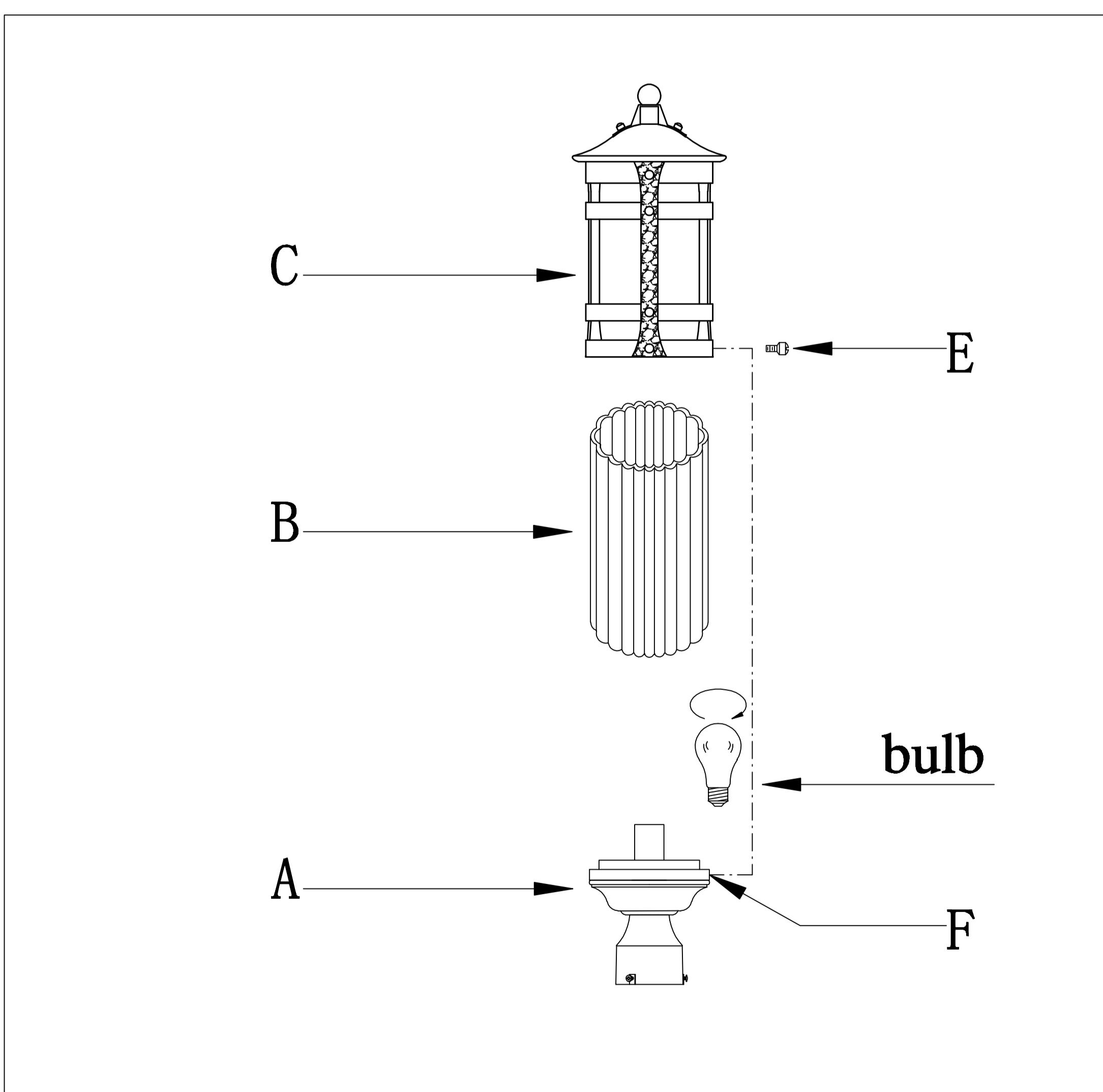
Locate all hardware & components before discarding packaging

1.)



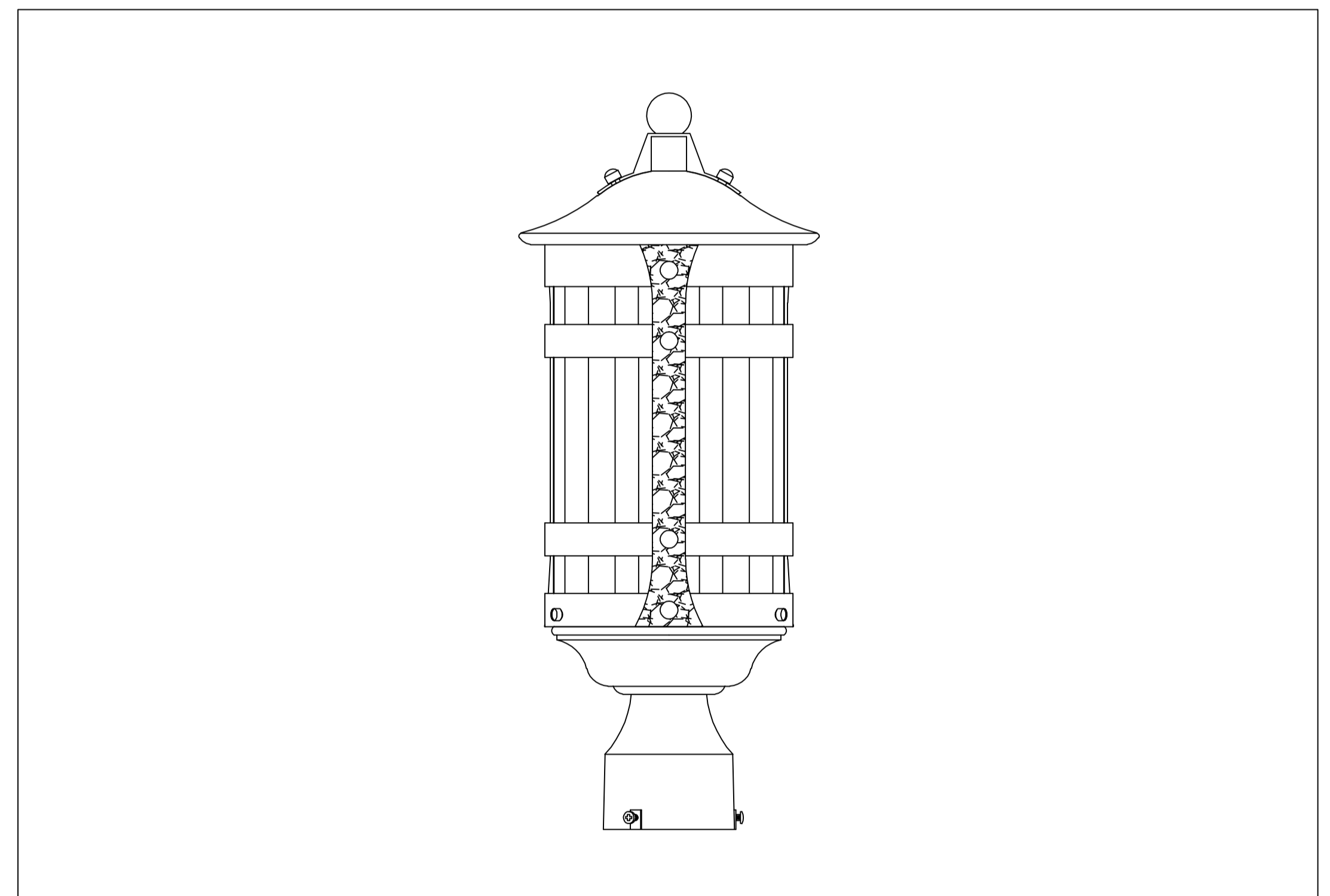
Step.1: Remove hood from the post by unscrewing top finial and three screws within the hood.

2.)



Step.2: Install MB bulb. Attach glass(B) and cage(C) to the fixture(A) using three screws(E) at point(F).

3.)



Step.3: Feed wire into holes at the fixture, and reattach the hood.

Step.4: Wire fixture to supply circuit in the post mount.

Step.5: Secure the fixture to the post using three screws on the post mount fitting.

Step.6: Caulk around the post using RTV silicone sealant to prevent water intrusion into the splicing area.

Cleaning & Care:

Clean with soft cloth and a mild detergent.
DO not use abrasive cleaner.