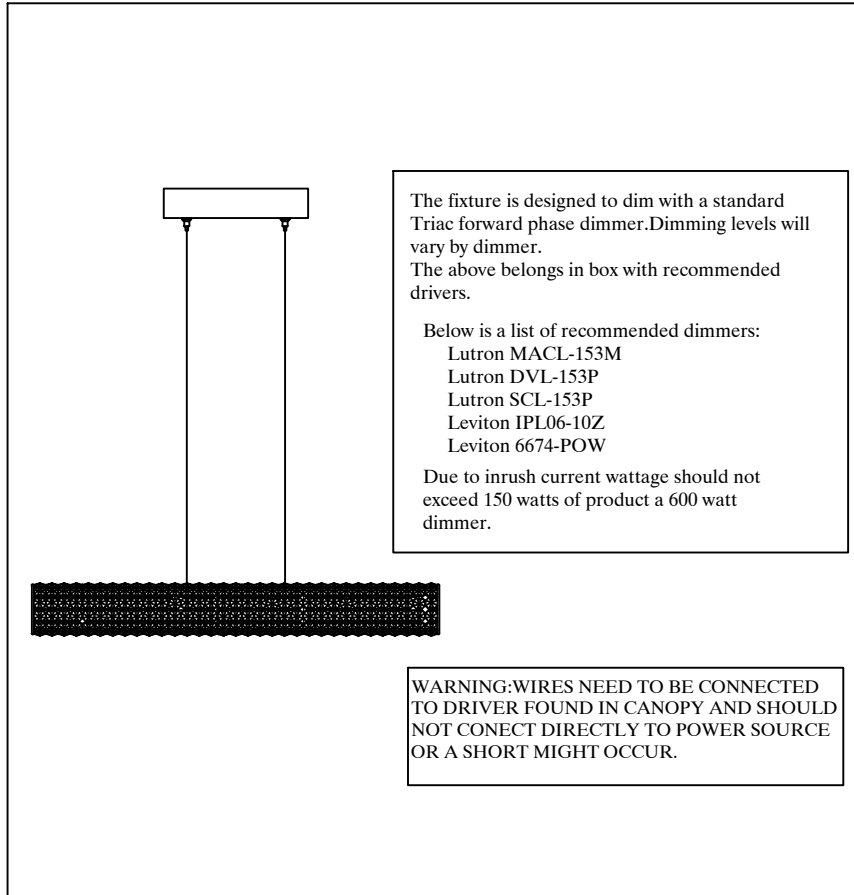




PRODUCT NAME: Meteor  
ITEM NUMBER: 32507BCPC

Please consult your electrician for hanging fixture and wiring.



16W LED

PRODUCTS ARE NOT INENDED FOR COMMERCIAL USE.

MADE IN CHINA  
Page 1 of (2)

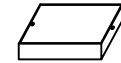
IMPORTANT: Turn off the power at the main fuse or circuit breaker box before starting installation



(A)  
Mounting Bracket

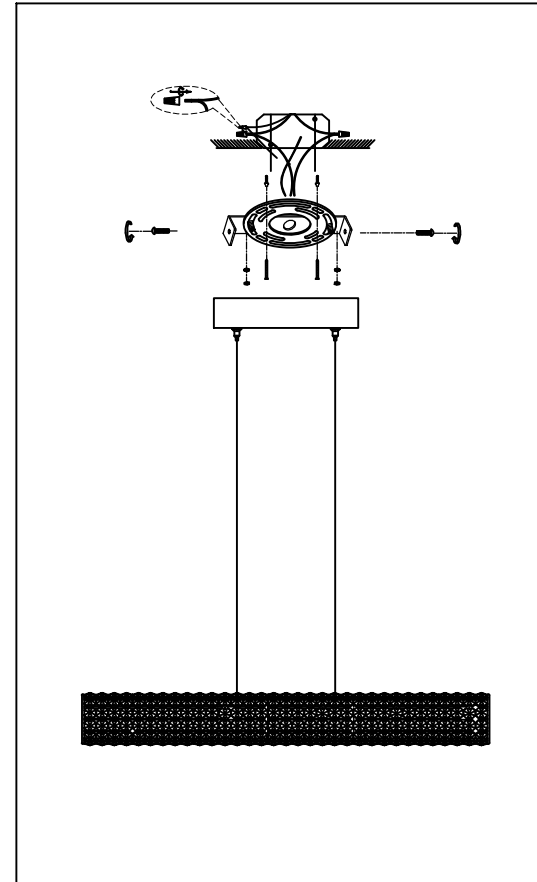


(B)  
Fixing screws



(C)  
Canopy

Locate all hardware & components before discarding packaging



Cleaning & Care:  
Clean with soft cloth and a mild detergent.  
Do not use abrasive cleaner.

- 1.)   
Step.1: Remove mounting bracket (A) from fixture and install to electrical box.
- 2.)   
Step.2: Wire fixture to wires in outlet box. Install green wire is for Ground.
- 3.)   
Step.3: Secure the screws (B) onto the mounting bracket (A), until the canopy (C) is flushing with the ceiling. Adjust wire to desired mounting height.