



PRODUCT NAME: WEAVE

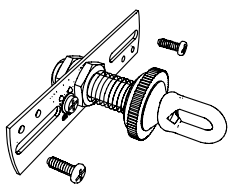
ITEM NUMBER: 35053BZGTGLD

Please consult your electrician for hanging fixture and wiring.



LED 1X11W (Bulb included)

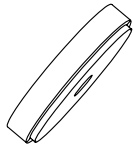
**IMPORTANT: Turn off the power at the main fuse or circuit breaker box before starting installation.**



Mounting Strap (A)



Body (B)

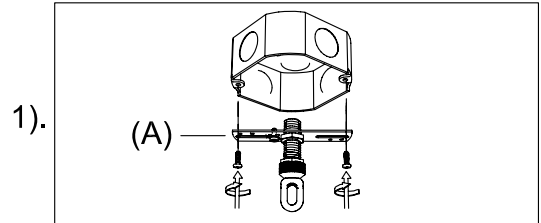
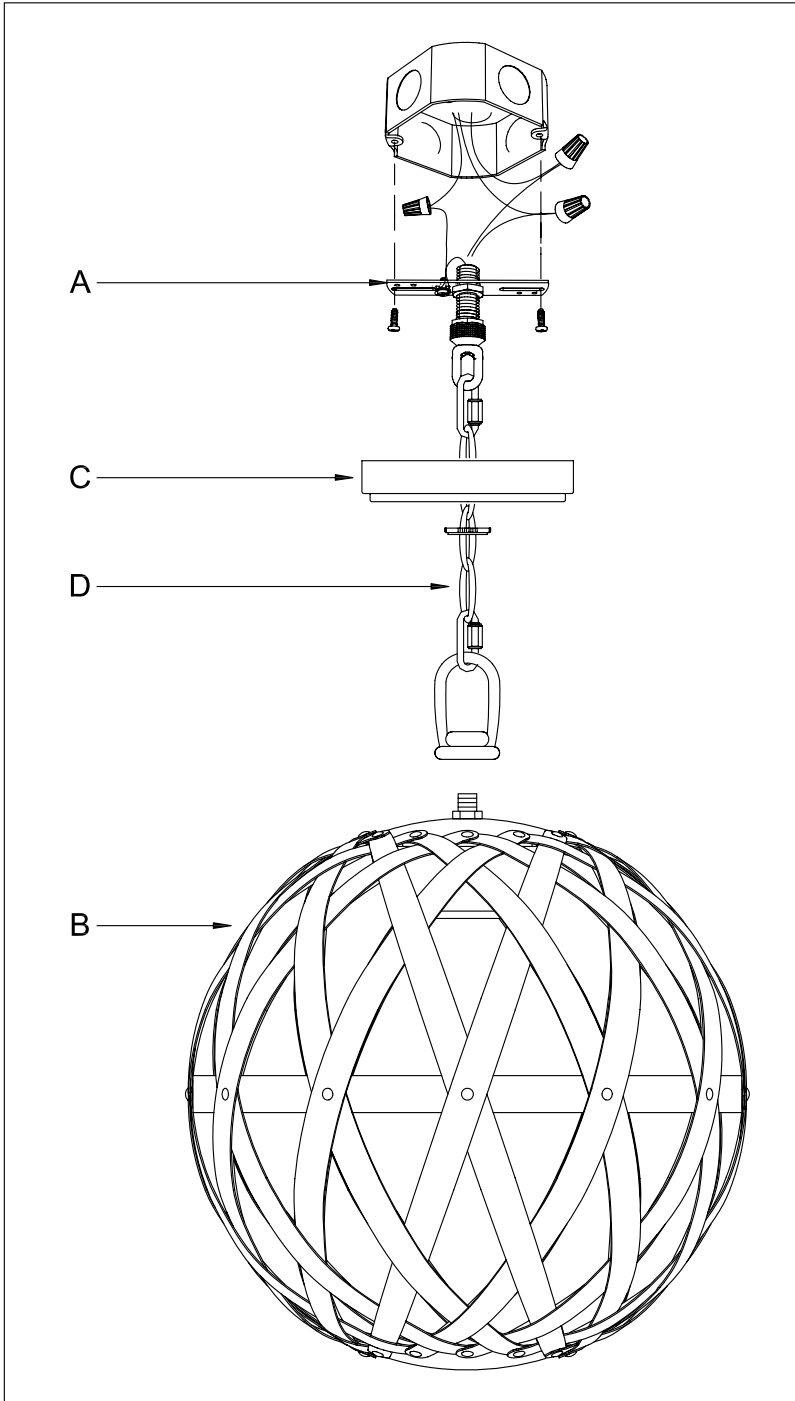


Canopy (C)



Chain (D)

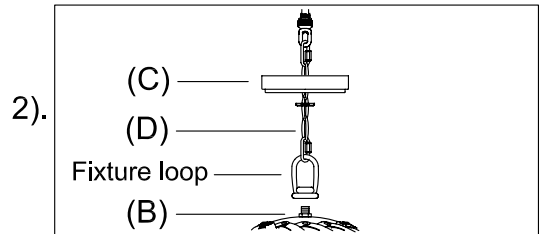
**Locate all hardware & components before discarding packaging**



1).

(A)

Step.1: Remove mounting bracket (A) from fixture and install to electrical box.



2).

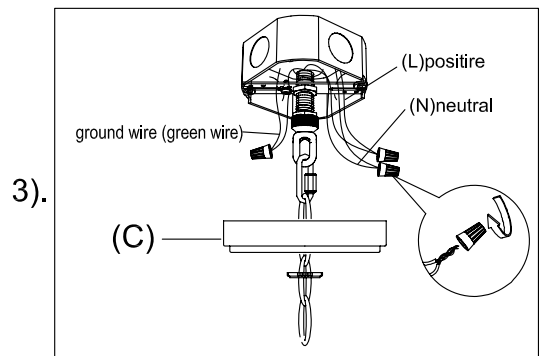
(C)

(D)

Fixture loop

(B)

Step.2: Install fixture loop. Connect chain (D) to fixture loop and canopy loop with key link. Thread fixture wire through the chain (D) into outlet box.



3).

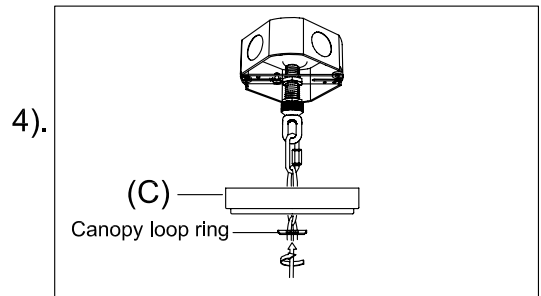
ground wire (green wire)

(L) positive

(N) neutral

(C)

Step.3: Wire fixture to wires in outlet box. Green wire is for Ground.



4).

(C)

Canopy loop ring

Step.4: Raise Canopy (C) to ceiling and secure with canopy loop ring.

**Cleaning & Care:**

Clean with soft cloth and a mild detergent.  
Do not use abrasive cleaner.