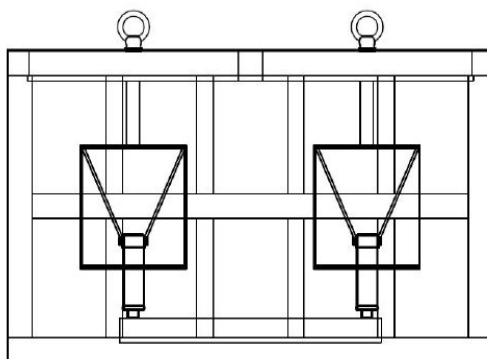




PRODUCT NAME: Cottage rectangle 4-lighting Chandelier
ITEM NUMBER: 35065WWDCI

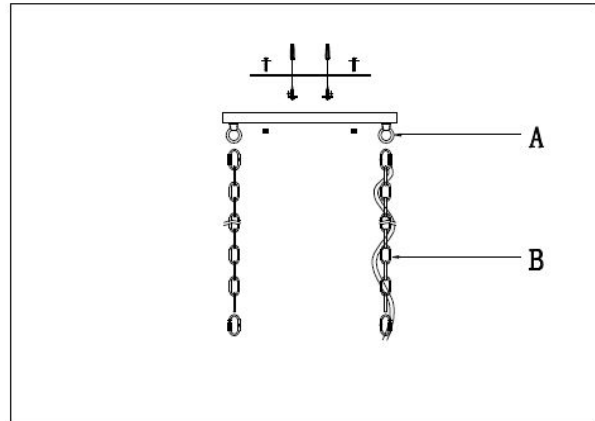
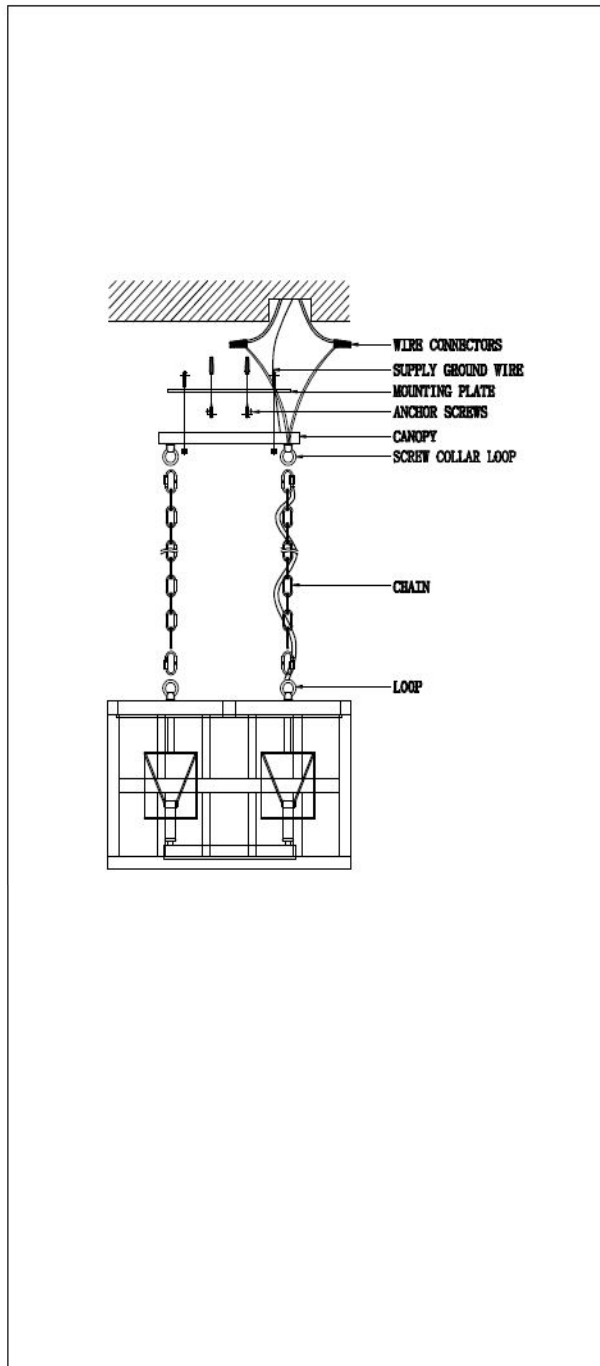
Please consult your electrician for hanging fixture and wiring.



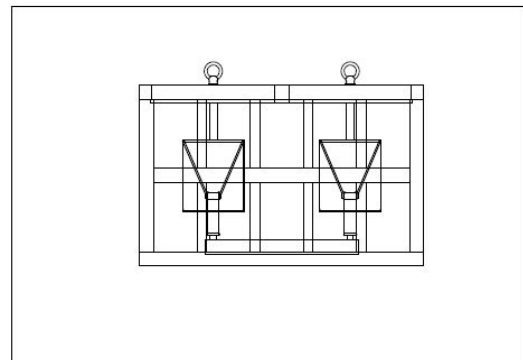
MADE IN CHINA
Page 1 of (2)

IMPORTANT: Turn off the power at the main fuse or circuit breaker box before starting installation

Locate all hardware & components before discarding packaging



1. Remove mounting bracket from fixture and install to electrical box.
2. Install top loop A to center stem and attach appropriate amount of chain to loop to achieve desired mounting height. Thread wire through every 3rd loop of chain.
3. Remove ring from loop and slide down chain. Place canopy onto chain and let slide to top of fixture. Install nipple and cross bar into top of chain loop.
4. Wire fixture to wires in outlet box. Copper wire is for Ground. Pull canopy through screw ring up chain to ceiling and tighten securely.



5. Attach shades with candle covers over socket
Install max 60W E12bulbs.

Cleaning & Care:

Clean with soft cloth and a mild detergent.
Do not use abrasive cleaner.