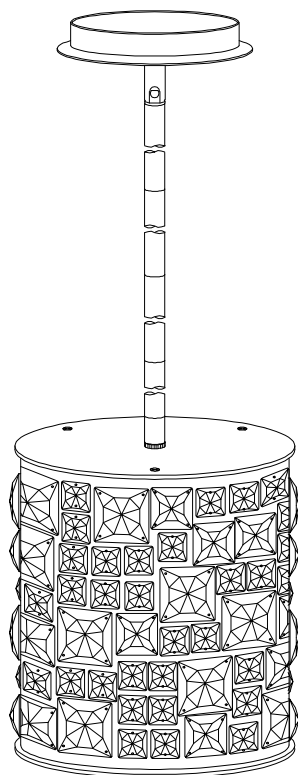


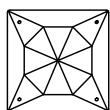


**PRODUCT NAME: Fifth Avenue, 3lt mini pendant**  
**ITEM NUMBER: 39793 JCLB**

**Please consult your electrician for hanging fixture and wiring.**



**1.65"W\*1.65"W\*0.83"H**



**CSQ39791AM-A 14pcs**

**CSQ39791CLSV-A 6pcs**

**CSQ39791CL-A 4pcs**

**1.26"W\*1.26"W\*0.67"H**



**CSQ39791AM-B 9PCS**

**CSQ39791CLSV-B 9PCS**

**CSQ39791CL-B 19PCS**

**0.87"W\*0.87"W\*0.24"H**



**CSQ39791AM-C 40PCS**

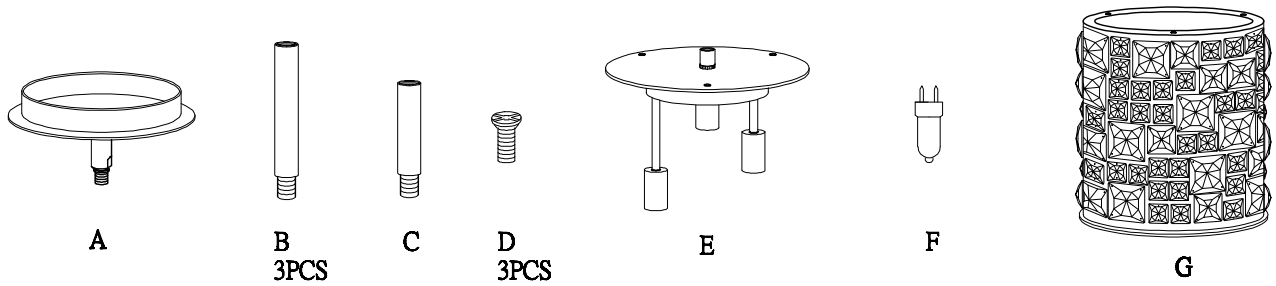
**CSQ39791CLSV-C 42PCS**

**CSQ39791CL-C 35PCS**

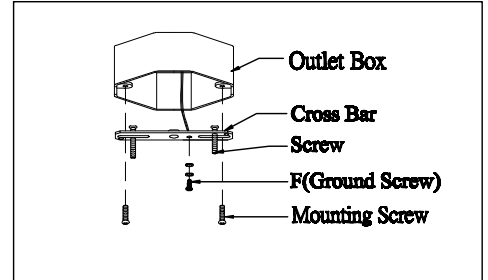
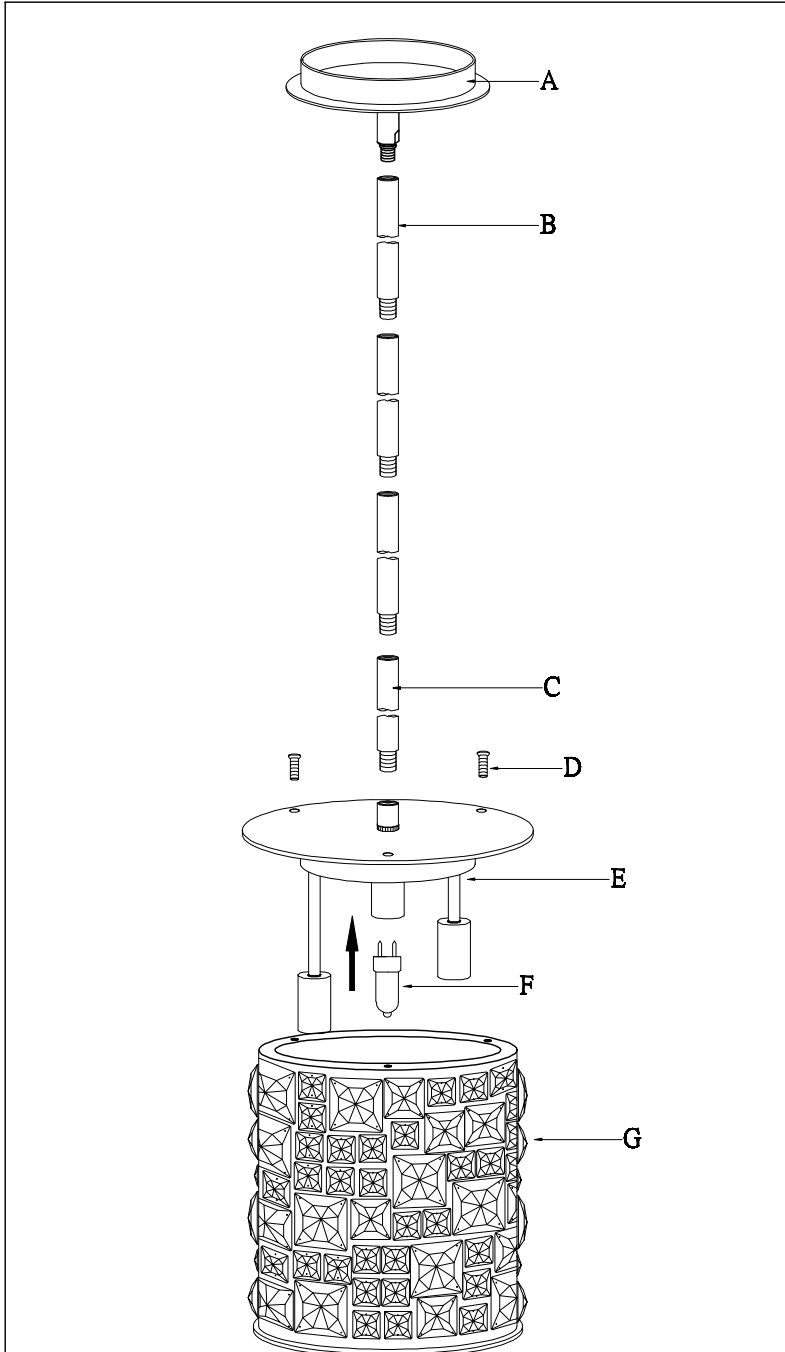
**WARNING: Xenon bulbs get very hot and may burn you. Always make sure bulbs are off for a minimum of 10 minutes before handling. Fixture may be dimmed using an electronic low voltage dimmer.**

**Bulb(included): 3-40W G9 bulbs**

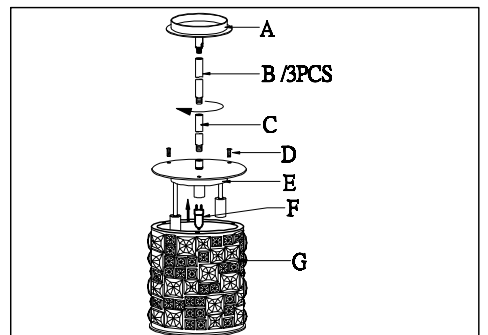
**IMPORTANT: Turn off the power at the main fuse or circuit breaker box before starting installation**



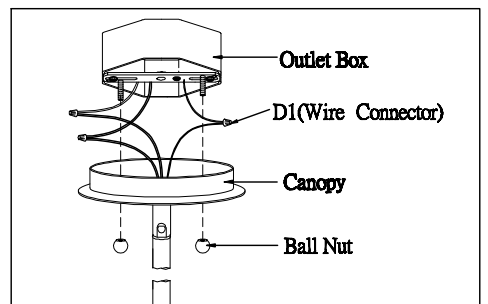
**Locate all hardware & components before discarding packaging**



**Step.1: Remove mounting bracket from fixture and install to electrical box.**



**Step.2: Run wire through stems (B&C) as you attach the body (G). Combine stem lengths to meet desired mounting height. Install 3 - G9 bulbs (F),**



**Step.3: Wire fixture to wires in outlet box. Copper wire is for Ground. Install canopy (A) to bracket and tighten ball nuts on the canopy to secure.**

**Cleaning & Care:**

Clean with soft cloth and a mild detergent.  
Do not use abrasive cleaner.