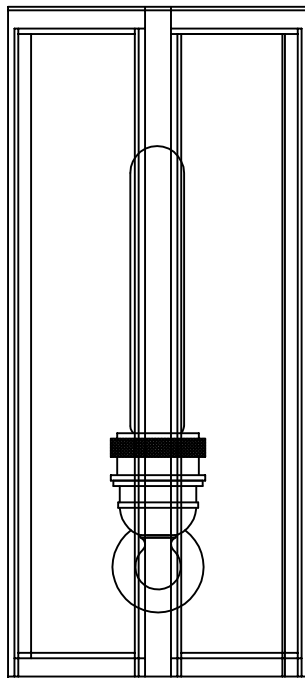




**PRODUCT NAME:** Pasadena  
**ITEM NUMBER:** 4063

**Please consult your electrician for hanging fixture and wiring.**



**CAUTION:** To prevent water intrusion, caulk around back-plate where fixture meets the wall using outdoor silicone sealant. Leave a small gap at the bottom to allow moisture to exit.

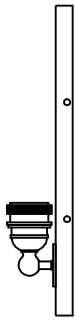
**Bulb(not included):1X 60watts Max type T Bulb**

**PRODUCTS ARE NOT INENDED  
FOR COMMERCIAL USE.**

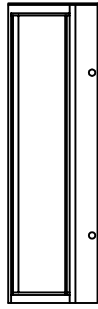
**MADE IN CHINA**

**Page 1 of (3)**

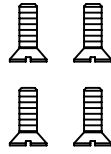
**IMPORTANT:** Turn off power at the main fuse or circuit breaker box before starting installation



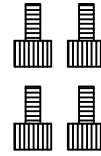
(A) Body



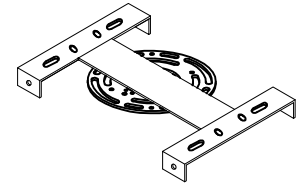
(B) Shade



(C) Support screw

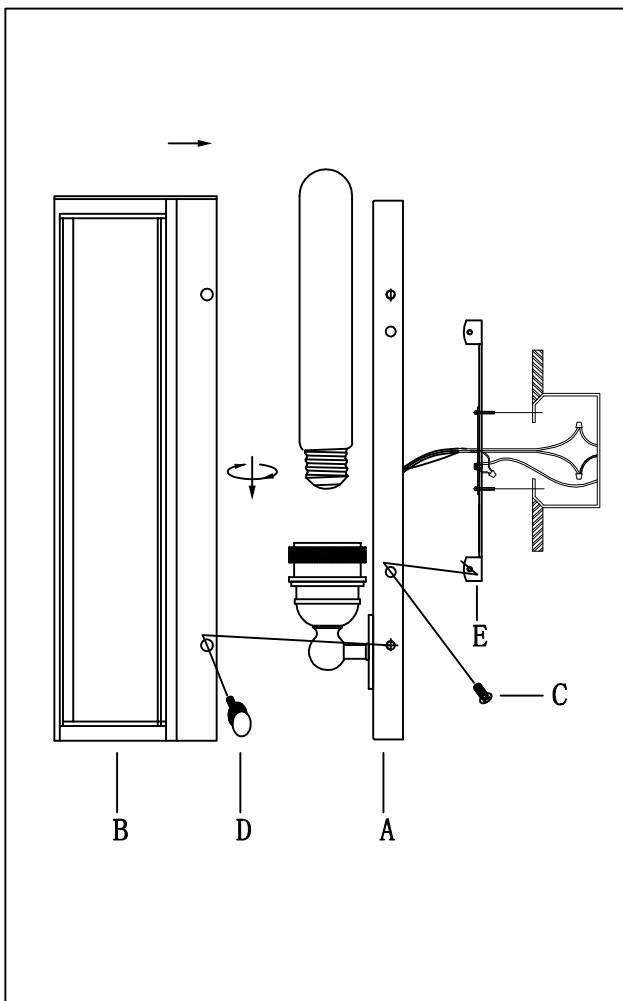


(D) Knurled nut

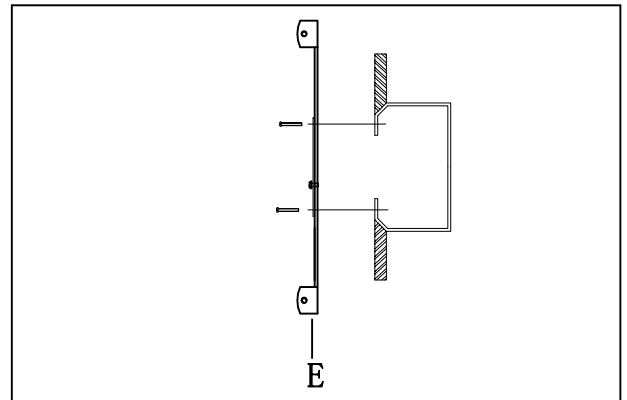


(E) Mounting bracket

**Locate all hardware & components before discarding packaging**

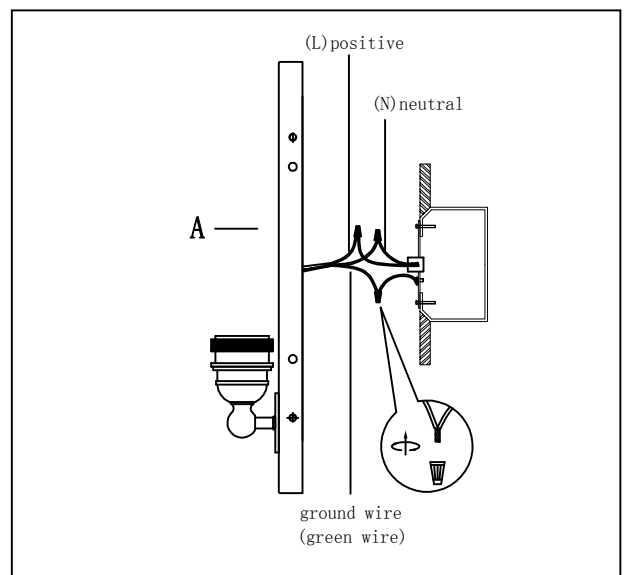


1.)



**Step.1:** Install mounting bracket (E) to outlet box.

2.)

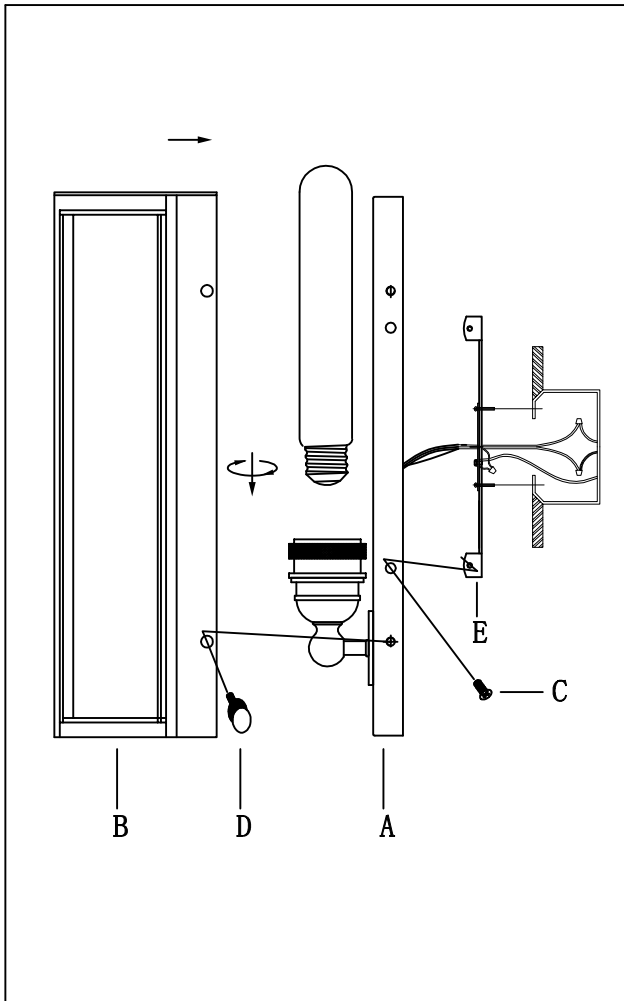


**Step.2:** Wire fixture to wires in outlet box. Copper/green wire is for Ground.

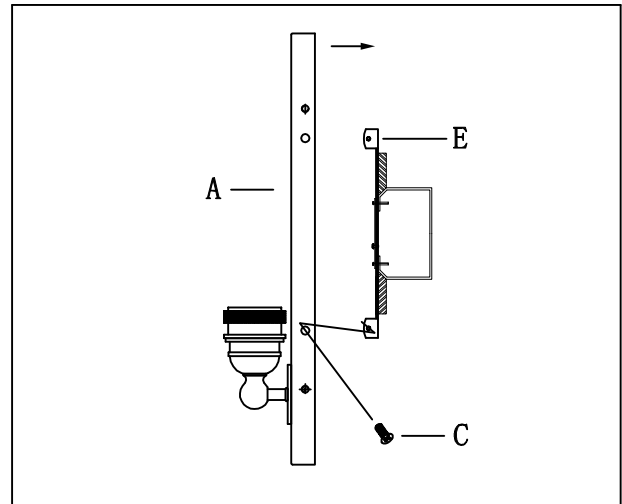
**Cleaning & Care:**

Clean with soft cloth and a mild detergent.  
Do not use abrasive cleaner.

**IMPORTANT:** Turn off power at the main fuse or circuit breaker box before starting installation

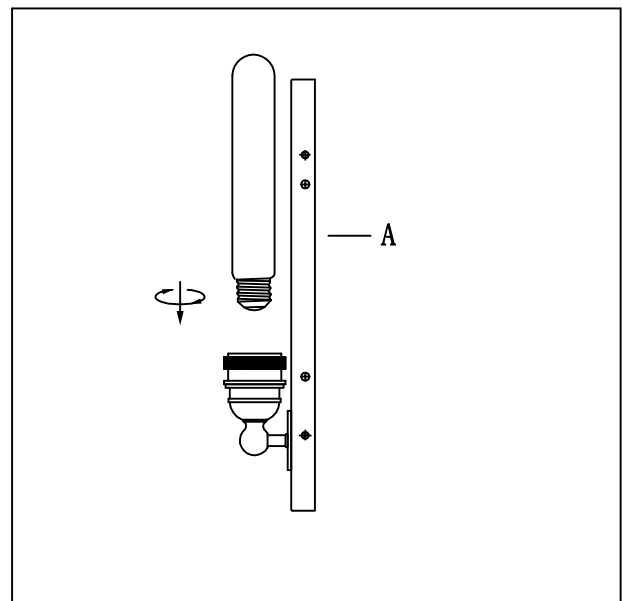


3.)



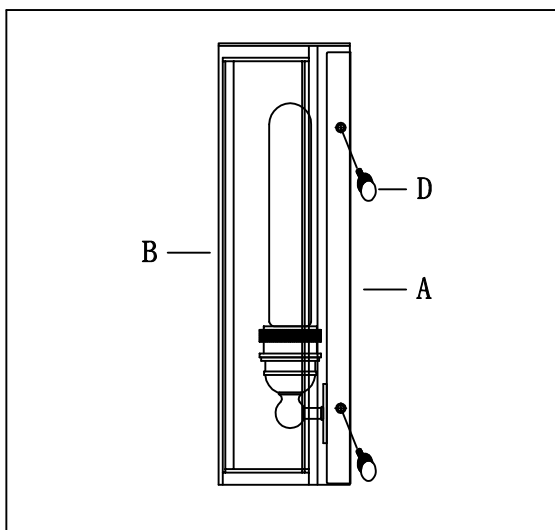
**Step. 3:** Run a bead of silicone sealant along the edge of the backplate to prevent water intrusion. Leave a gap at the bottom to allow moisture to escape. Attach the fixture to the mounting bracket (C) using screws (B) provided.

4.)



**Step. 4:** Install max 60 watts medium base type T bulb (not included) into socket.

5.)



**Step. 5:** Attach shade (B) to body (A) and tighten with Knurled nut (D).

#### **Cleaning & Care:**

Clean with soft cloth and a mild detergent. Do not use abrasive cleaner.