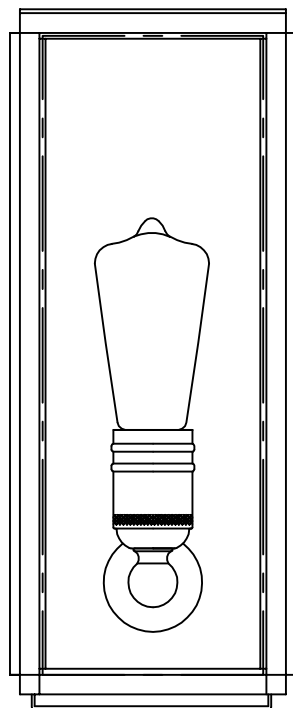




PRODUCT NAME: Pasadena
ITEM NUMBER: 4066

Please consult your electrician for hanging fixture and wiring.



CAUTION: To prevent water intrusion, caulk around back-plate where fixture meets the wall using outdoor silicone sealant. Leave a small gap at the bottom to allow moisture to exit.

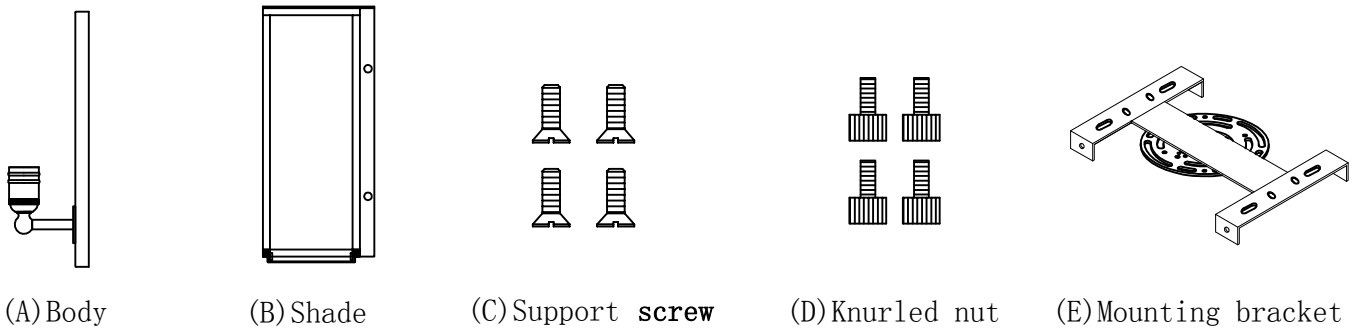
Bulb(not included):1 Edison-style bulb recommended

**PRODUCTS ARE NOT INENDED
FOR COMMERCIAL USE.**

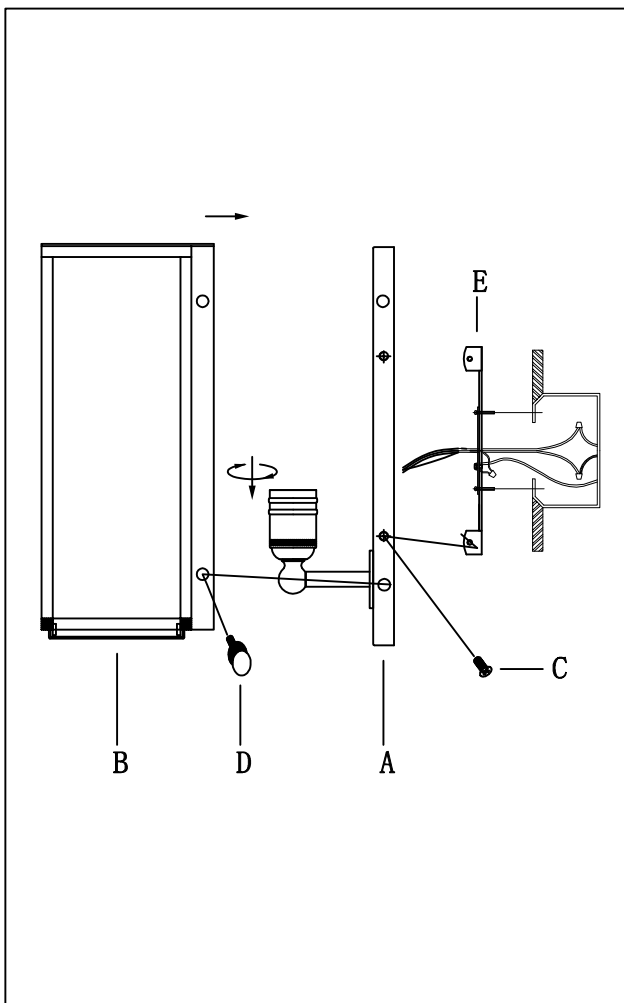
MADE IN CHINA

Page 1 of (3)

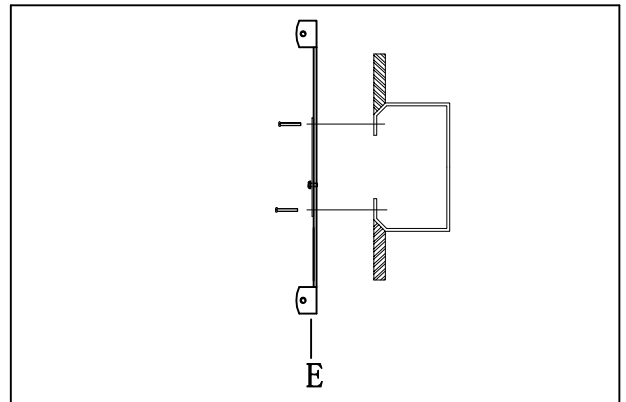
IMPORTANT: Turn off power at the main fuse or circuit breaker box before starting installation



Locate all hardware & components before discarding packaging

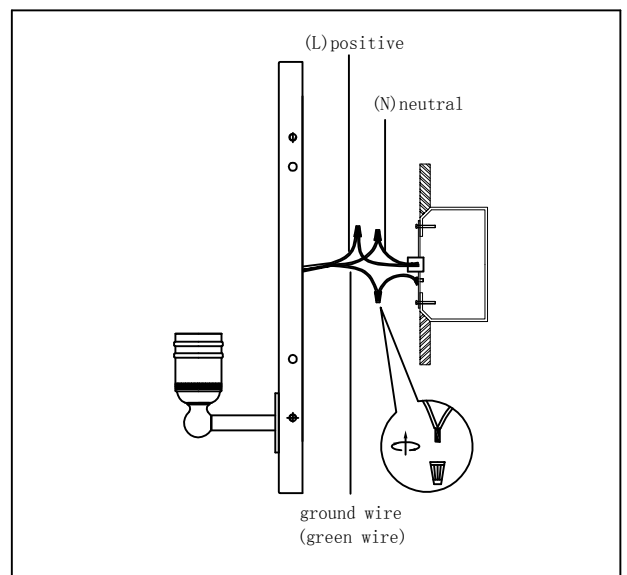


1.)



Step.1: Install mounting bracket (E) to outlet box.

2.)

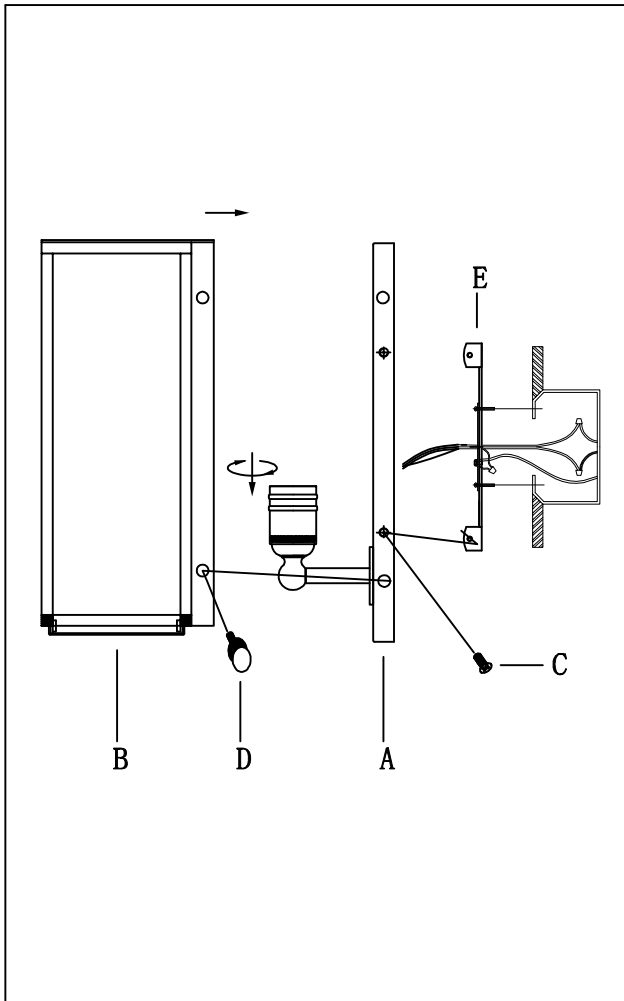


Step.2: Wire fixture to wires in outlet box. Copper/green wire is for Ground.

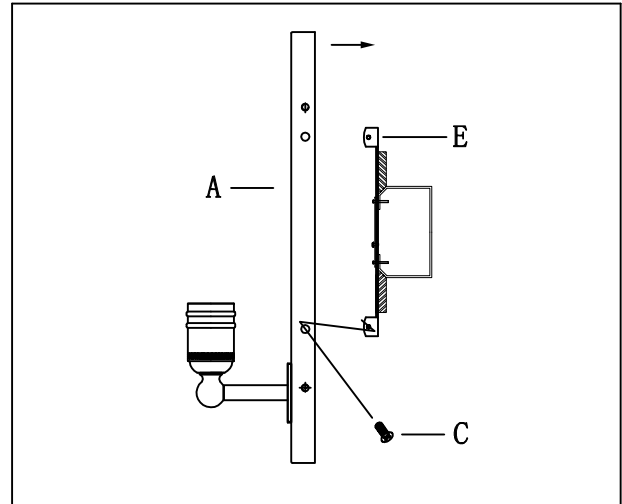
Cleaning & Care:

Clean with soft cloth and a mild detergent.
Do not use abrasive cleaner.

IMPORTANT: Turn off power at the main fuse or circuit breaker box before starting installation

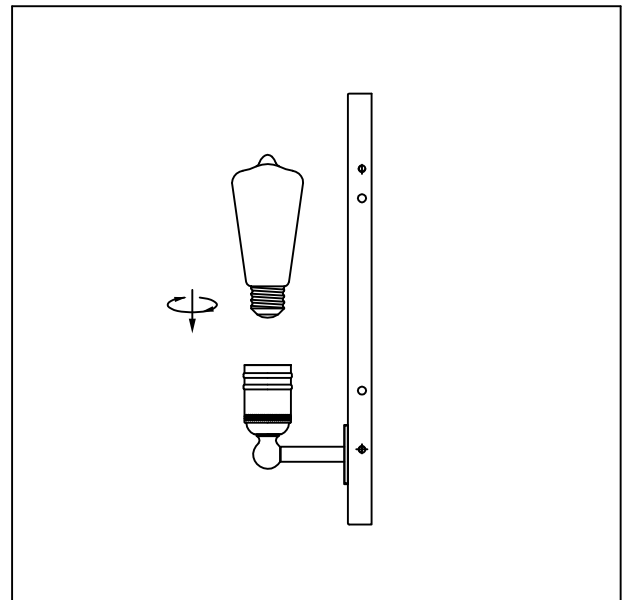


3.)



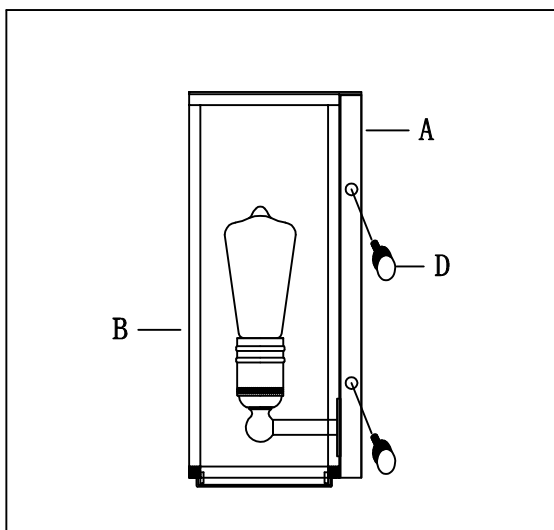
Step. 3: Run a bead of silicone sealant along the edge of the backplate to prevent water intrusion. Leave a gap at the bottom to allow moisture to escape. Attach the fixture to the mounting bracket (E) using screws (C) provided.

4.)



Step. 4: Install medium base Edison-style bulb (not included) into socket.

5.)



Step. 5: Attach shade (B) to the body (A) and tighten screws (D) on the sides of the fixture to secure.

Cleaning & Care:

Clean with soft cloth and a mild detergent. Do not use abrasive cleaner.