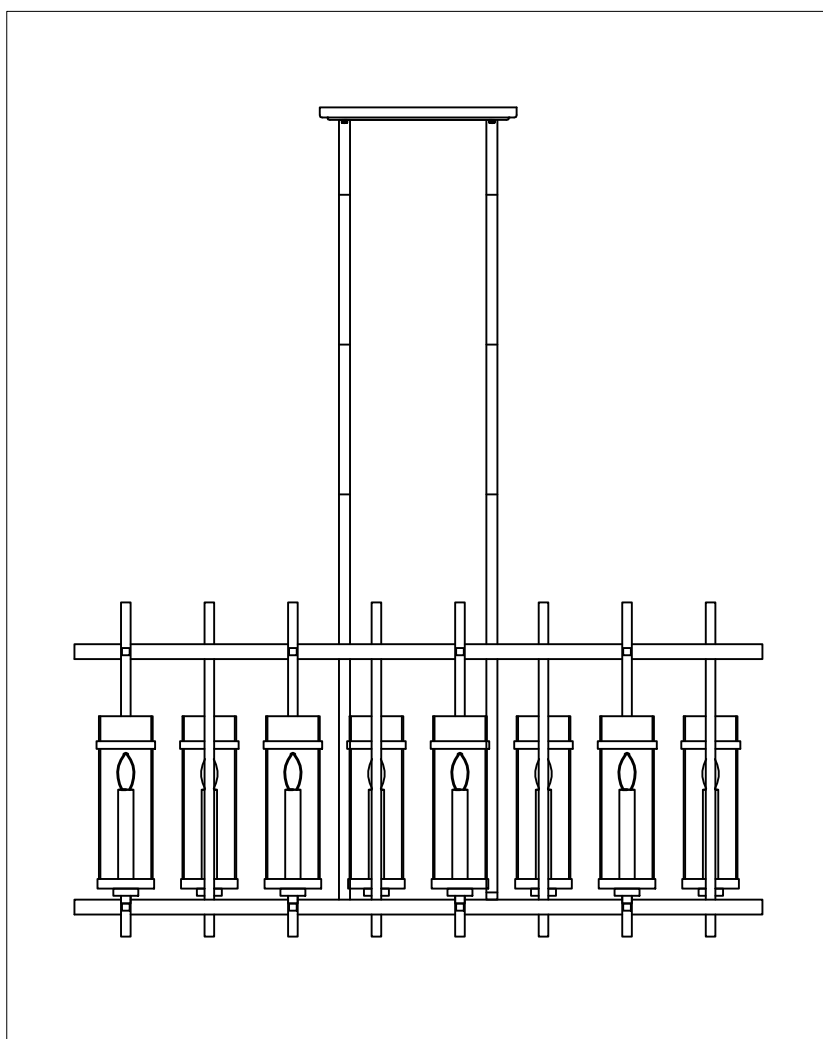




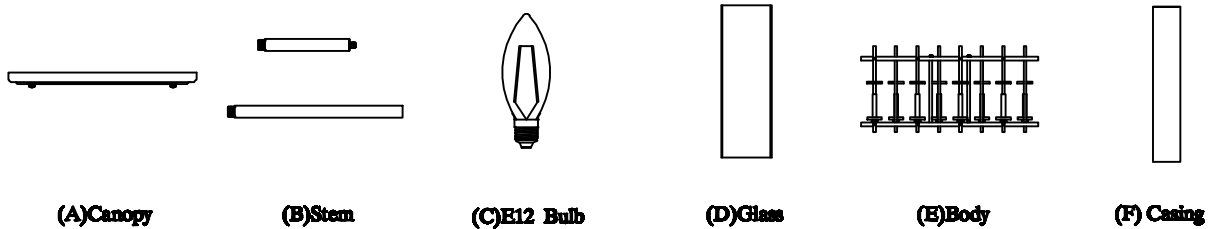
PRODUCT NAME:Midtown
ITEM NUMBER: 43747

Please consult your electrician for hanging fixture and wiring.

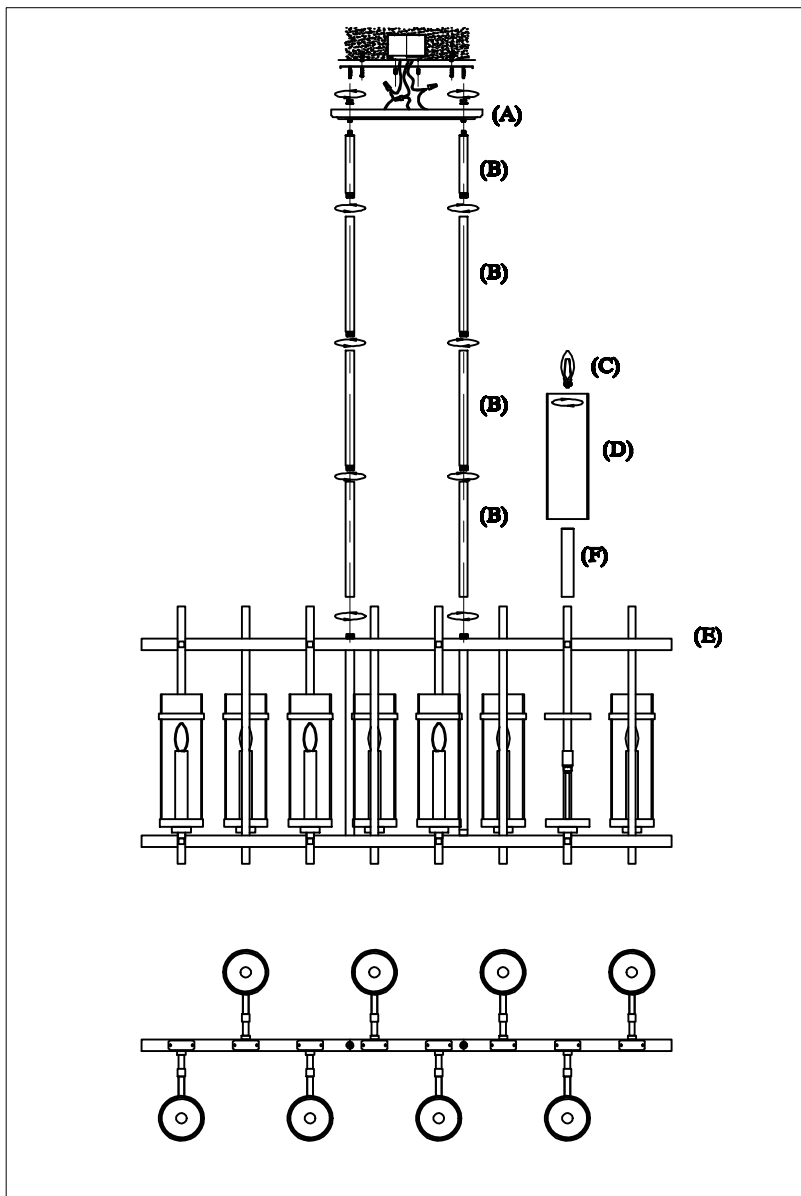


Bulb (included):8 x E12 LED 4W

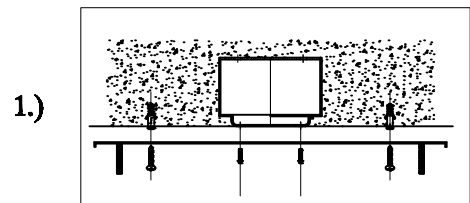
IMPORTANT: Turn off the power at the main fuse or circuit breaker box before starting installatio



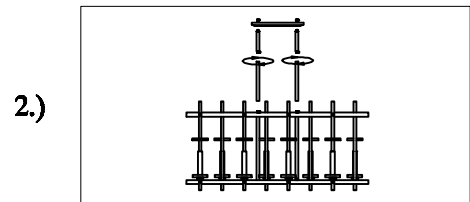
Locate all hardware & components before discarding packaging



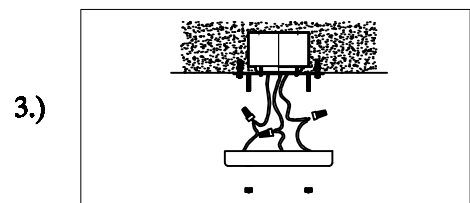
Cleaning & Care:
Clean with soft cloth and a mild detergent.
Do not use abrasive cleaner.



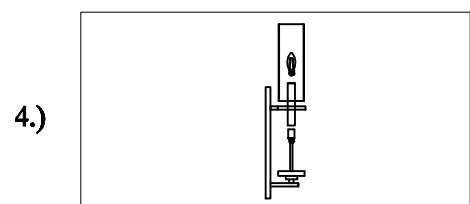
1.) **Step.1:** Remove mounting bracket (A) and install to electrical box. Mark where anchors meet ceiling, remove mounting bracket from ceiling, and then drill holes using 3/16" drill bit where marked (B). Install mounting bracket and attach anchors to secure bracket at ends.



2.) **Step.2:** Run wire through stems (B) and combine stem lengths to meet desired mounting height



3.) **Step.3:** Wire fixture to wires in outlet box. Copper/Green wire is for Ground. Install fixture to bracket and tighten screws at the ends of the canopy (A) to secure



4.) **Step.4:** Cover socket with casing (F). Install glass (D). Install E12 LED filament bulb (C) provided.