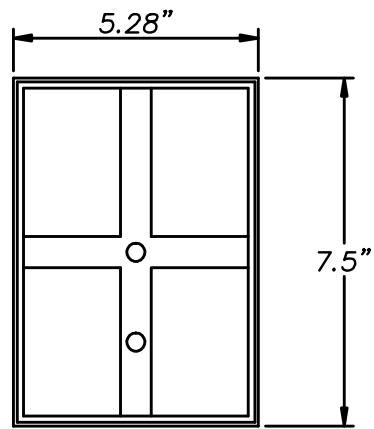


Fixture



Back plate

