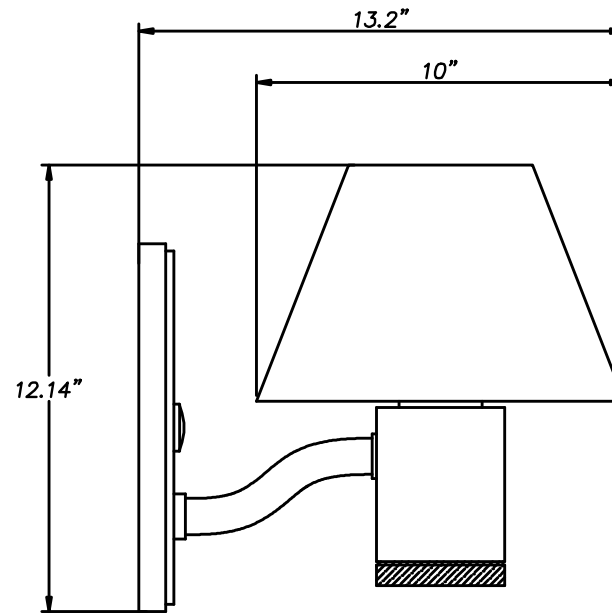


Back plate



Fixture

