

Rainbow Dial is a new user friendly way to control Rainbow Star tape. With this new remote you simply dial the color you wish to have. The color is displayed in the center of the dial so the remote does not have to be located in view of the tape. The Rainbow Dial controller has 16 pre-positioned changing patterns that are touch controlled. One remote can control up to 3 separate channels with additional 53601 controllers. Remote control can be wall mounted with bracket included. Remote is powered with a rechargeable battery (charger included).

Operating Instructions

1. Sync remote to controller

- Connect the power supply to the RBG controller input cord and then connect RGB controller output cord to the RGB tape.
- Press the POWER button on the wired LED controller to turn system off
- Press the Pause key on the RGB Controller and the tape should light up red which is a signal the state of identifying the address.
- Press the RGB Remote Power button, turn tape off and then press it again to turn tape back on, the tape should be green signaling a successful sync.

2. To Sync Multiple LED Controllers to Single Remote

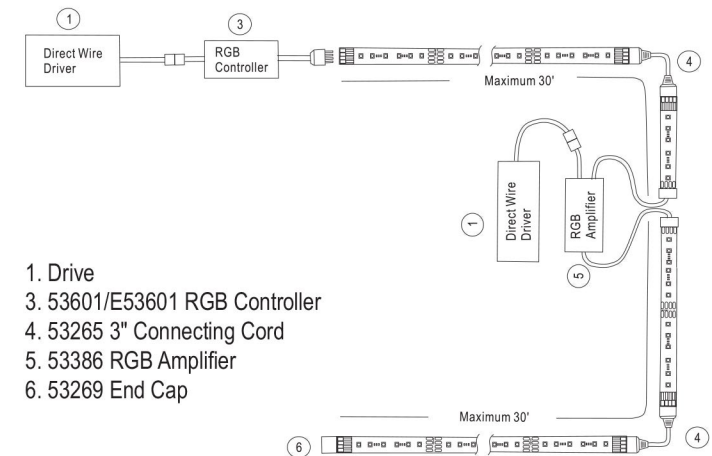
Number Pad is the group control function of the remote. Pressing keys 1-9 followed by pressing # can change the remote's address code. For example, pressing #1 will change the remote to channel 1, for multiple RGB controllers it would be #2 and #3.

3. Function of the Keys

- Color wheel is operated by moving finger in a clockwise direction to choose one of the 64 colors.
- Mode + Mode – changes the mode of the controller.
- Speed + Speed – changes the speed of the color changing modes
- BRT + BRT – adds the dimming function of the controller

If LED Controller is not responding, disconnect power from LED Controller for 3 minutes. Turn LED Controller POWER ON and Repeat Step 1

- Battery charging can be done either by plugging the charger into the included charger or the USB on your computer. The red light will be on when charging. It is recommended to charge the remote for 8 to 10 hours the first 4 times for maxim battery life. The remote is programmed to turn off after 60 seconds on non-use to preserve battery life.



For more information or customer service call
(800) 486-2946, visit maximlighting.com or et2online.com

Model 53601 Controller

Technical Specs

Input Voltage: 12/24V DC

Output Channels: 3

Input Current: Max. 6A each channel

Output Power: 216W 12V / 432W 24V

Color Patterns:

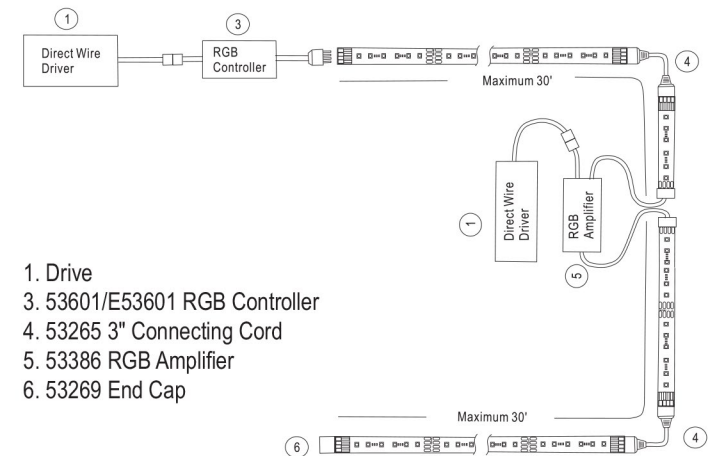
- 1.Static Red
- 2.Static Green
- 3.Static Blue
- 4.Static Yellow
- 5.Static Purple
- 6.Static Cyan
- 7.Static White
- 8.Colors Quickly Replace
- 9.Red Fades
- 10.Green Fades
- 11.Blue Fades
- 12.Yellow Fades
- 13.Purple Fades
- 14.Cyan Fades
- 15.White Fades
- 16.Colors Gradually Replace

Technical Parameter

1. Battery capacity: 800mAh
2. Standby current: <math>< 50 \mu A</math>
3. Standby time: 1 year
4. Normal using time: 30 days
5. Charge time: 4 hours
6. Number of Charge cycles: 500 times

Function Descriptions

- 1) More than 60 kinds of colors choice
- 2) Can show the color which the control sets
- 3) More than 90 kinds of scene choice
- 4) Auto sleep function after 60 seconds, save energy
- 5) Group control (one remote controller can control several controllers)



1. Drive
3. 53601/E53601 RGB Controller
4. 53265 3" Connecting Cord
5. 53386 RGB Amplifier
6. 53269 End Cap