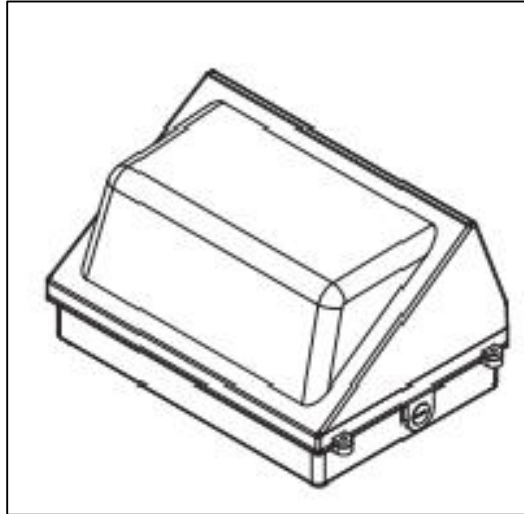




PRODUCT NAME:WALL PACK
ITEM NUMBER:55555CLBZ 55557CLBZ

Please consult your electrician for hanging fixture and wiring.



WARNING:Wires need to be connected to driver found in canopy and should not be connected directly to power source or a short may occur

55555CLBZ : 40W LED 5000K NO DIMMABLE
55557CLBZ : 80W LED 5000K NO DIMMABLE

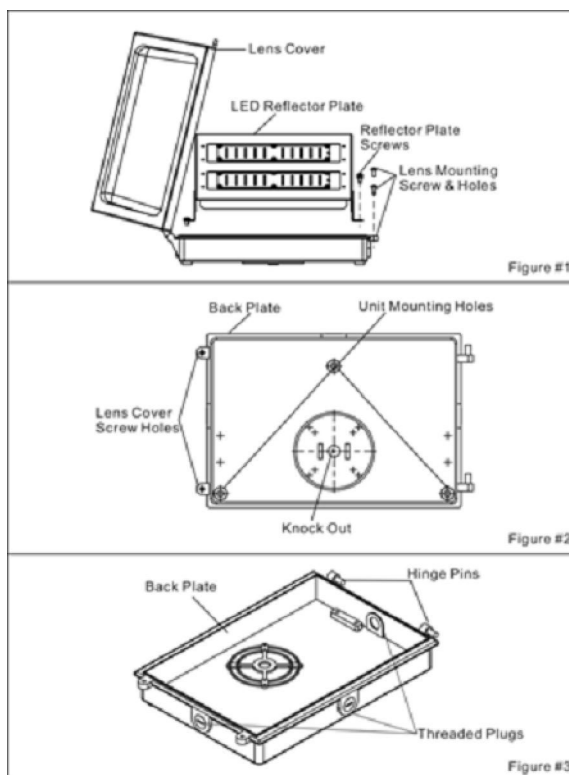


PRODUCT NAME:WALL PACK

ITEM NUMBER:55555CLBZ 55557CLBZ

CAUTION:Turn off the main power at the circuit breaker before installing and servicing the fixture to prevent possible injury from electric shock.

All electrical connections must be in accordance with local and National Electrical Code (N.E.C.) standards. If you are unfamiliar with proper electrical wiring connections, obtain the services of a qualified electrician.



- 1:Please ensure that the mounting surface you are installing on is structurally sound, and able to support this fixture.**
- 2:Unscrew and remove the front lens cover section from the back plate section of the fixture. Carefully set lens cover aside in a safe place. See figure #1 & #2**
- 3:Unscrew and remove the LED reflector plate see figure #1. Carefully set it aside in a safe place.**
- 4:Prepare the mounting by drilling out mounting holes in the back plate section of the canopy, (See figure#2 for mounting hole location) . Drill out the knock out hole from the back plate for wiring. Make sure to remove any sharp edges with a file before pulling the wiring through**
- 5:Install the self -adhesive gasket to the back of the fixture to cover and seal the junction box . Pull the power wired into the back plate. Align the back plate over junction box and mount securely. Use proper anchored screws to mount this unit.**
- 6:Divert the connection wires from the junction box downward for easy wiring. Replace the LED reflector Plate and connect power. The white wire to white (Neutral) , black wire to black (Line) , the green (Ground) wire to green or bare lead. Grounding must be properly connected for unit to operate.**
- 7:Seal all access holes with a weather proof silicone sealant**
- 8:Now that the rear plate of the fixture housing is mounted and Wired , replace the front lens cover onto the two hinge pins. Close**