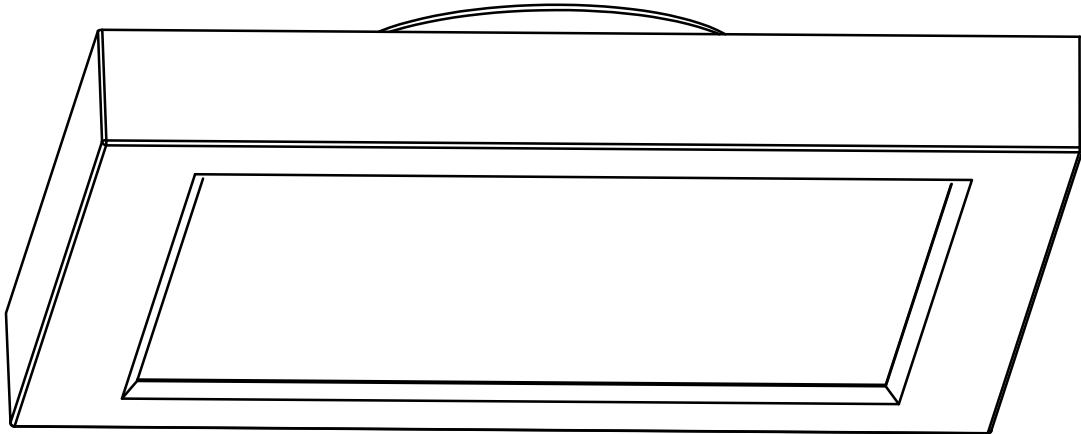




PRODUCT NAME: Chip LED
 ITEM NUMBER: 57695



| | | |
|---|---|---|
| <p>)25 237,0\$/ 86(<u> </u> Triac or ELV)RU H[DPSOH /XWU '9&/ 3 '9&/ 3</p> | <p>'2 127 86(<u> </u> 9 RU PDJQHWL)RU H[DPSOH /XWU '9&/ 3 '9&/ 3</p> | <p>,03257\$17 <u> </u> 0DNH VXUH WKDW \RXU GLPPDEOH /(' IL[WXUH LV ZLWK WKH FRUHFHW GLPP</p> |
|---|---|---|

Please consult a qualified electrician for hanging fixture and wiring.
 Light Source : LED Integrated 12W

Made in China / Hecho en China / Fabrique en China

| | |
|--|---|
| %HIR*HWVWUWHG\$QWBFPHC | \$YDQWFRPPHQFHU |
| 5HDVWUWUXFWLRSUMVNDUWHRE WKRSXFW | /LUH DWWHQWLYHPHQW OHV LQVV OH SURGXLW |
| :KHQRXRSHQWKHSDFNDJHZLW OLDHFVWUWHF DUHQRW WR GDPD FRPSRQHQWV LQVLGH | WLDWTKHUSAKRQYUH] OH SDTXHW JRWV KH XQ FRXWHDX GH FRXSH YH HQRPPDJHU OHV FRPSRVDQWV j |
| &DUHIXOO\UHPRYH DOO SDQGDJ UHWLRLQIXWXUH XVH | 5HWEIKO FXLGDGRVDRGIRG BORE/O \FRQVpUS B O B DUHOC MO IXWXUR |
| .HHSOO KDUSZD WBS DQNGD RIXQW RI UHDFKRFKLOGUHQ | &RQVHUYH] WRXWHV OHV SLqFHV HPEDOODJHV KRUV GH SRUWpH G |
| &KRRVHODDQ OHYHO VSDFBURXO \$YRKG V QUIDWFKDWP D\GDPDJH SBGXFW | &KRLVLVVH] XQH]RQH G DVVHP QLYHDX HW VSDFLHXVH eYLWH SRXUUDLHQW HQGRPPDJHU OH |
| (QVXWIKDVKDFX DOO UFRQWUHQW FRPSOHWH DVVHPEO\ | SRXUHU] YRXV TXH YRXV DYH] WRXV SRXU O DVVHPEODJH FRPSOH |
| 7DNADUH ZOHQVLQJ \$WVWHPSEOR FORSUHLPLRV ZKHUH \RX LQWH WKLWHP | 3UHQH] VRLQ GH VRXOHYHU \$VVHF SUR[LPLWp GH O HQGURLW R YRXV O pOpPHQW |
| 'R QRW RYHU WLJKWHQ WKH VF PD\GDPDJH WKH WkuhdGV | HZV B QGHE]RSDW WDRW IOHW YLV HW SRXUUDLW HQGRPPDJHU OHV IL |
| 'R QRWF B HVS O B DQZLWK WKLVSU | 1R SHUPLWD TXM XCRV B QXHRWWH SBGXFW |
| 5LVNRI VXIIRFDWLRQ .HSDQ\SDFN DVLHULD D MURP FKLOGUHQ | £5LHVJR GH VRIRFDflyQ 0DQW PDWHULDOHV GH HPEDODMH |

| | |
|---|---|
| /DPS &DUHQVWUWUXFWLQRQV VGH OPSDUDV | ,QVWUXFFLRQH GH ODP SH |
| &DUHIXODG WKURQVWVWKFHLR VKHHW B W V H P E O G XVLQJ WK SBGXFW | /HFXLGDGRV O B K R M B G M U X F F L R IXBURSRUF DRQV D B D U P H X W L O D J D U O i P S D U D |
| &DXWVWKGUHLV D ULV MRRVQRFRF IURP SRZHU VR XDMV H P H O R L O H FOHDQLQJ | WHOLSRB HVFDUJD HOPFWULOD O i P S D G H O X H Q V H H O H F W D L F W G I G G DUPDR O D P S L D U O D |
| 6ZLWFKRII X O S O E R Z O E Q R F R EHIRUHS O E F L Q B R U F O H D Q L Q | \$SijXHOD GHVHGAMH H E B P G D O H HQIDG W H V H G H P S O R J D U L E S L D U O D |
| 2QOXVH W K H R P P H E X G I S W I S H D Q QRW H [F H P Q M P X E P W W D J H D V L V FDXVH ILUH | GRORV L O D W L S R P E H O O D U H F R P H Q G S I G G L V R R X E I G G D O D H S O P W W Q I E D P T X L R D S X H G I X W Q L Q F H Q G L R |
| 'R QRW SOXJ WKH SURGXFW L WRUQRUIUDHG | 1R FRQH O W P S O L D H O I H D E G W U W R GDx D G R R G H V K L O D F K D G R |

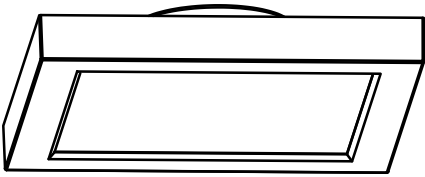
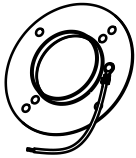
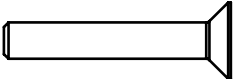
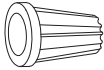
| | |
|--|--|
| &OHDQLQDLQWHQDQFHP SLH]DDQWHQLPLHQWVR R H P B L Q W H Q D Q | (QDFDEDGRV SXOLGRV DPHC SROYR GH WDOFR UHGXFH OD GDFWLODUHV \ RWUDV PDQFK |
| 2Q SROLVKHG ILQLVKHV RIWF UHGXFHV WKH DSSHDUDQFHR RWKHU VPXGJHV | 6XU OHV ILQLWLRQV SROLHV VRX SRXGUH GH WDOF UpGXLW O T D S S I HPSUHLQWHV GLJLWDOHV HW G T D |
|)RU UHVSHFWLYH VKDGH VXUI DSSURSULDWH FOHDQVHUV L DFU\OLF SROLVK DQG ZRRG SR | B B U D X O D W U K H V S H F W L Y D V V X S H L X W D O V P H F O R I V Q H R S L D G R U H V D O L P S L D G R U G H Y L G U L R H V P D O W H G H P D G H U D |
| &OHDQ ZLWK VRIW FORWK DQ '2 QRW XVH DEUDVLYH FOHDQ | 8WLOLFHXQ WUDSR OLPSLR UD\H QL PDQFKH OD VXSHUILF SROYR |
| 3HULRGLFDOGDHVBNIH VXUH WK WKH VFUHXZOLU KWHQH G | D M U L y G L F D P H Q G H D V D G D H J G U H V T X H O R V Q L W O B Q E L H Q D S U H W D |
| 3URORQHJH W B R K X M V R X U F H FDXVOD]LQJ F H Q V L Q R U F H K L Q Q FDXVH FRORU WR IDGH | /DHSRVLflyQ SUR O B V H D G H V FDORU F B X L V D W D O L] D F L y Q T X H P D G X H F R O R G B E L W Q S L] D G |

EN Contents

Before getting started, ensure the package contains the following components:

Antes de comenzar, asegúrese de que el paquete contenga los siguientes componentes:

Avant de commencer, assurez-vous que le paquet contient les composants suivants:

| | | | | |
|------------|--|-----------|--|--|
| <p>(A)</p> |  <p>FIXTURE</p> | <p>x1</p> | | |
| <p>(B)</p> |  <p>MOUNTING BRACKET</p> | <p>x1</p> | | |
| <p>(C)</p> |  <p>SCREW(5/32-32UNC L=1")</p> | <p>x2</p> | | |
| <p>(D)</p> |  <p>WIRE NUTS</p> | <p>x3</p> | | |
| | | | | |
| | | | | |
| | | | | |

