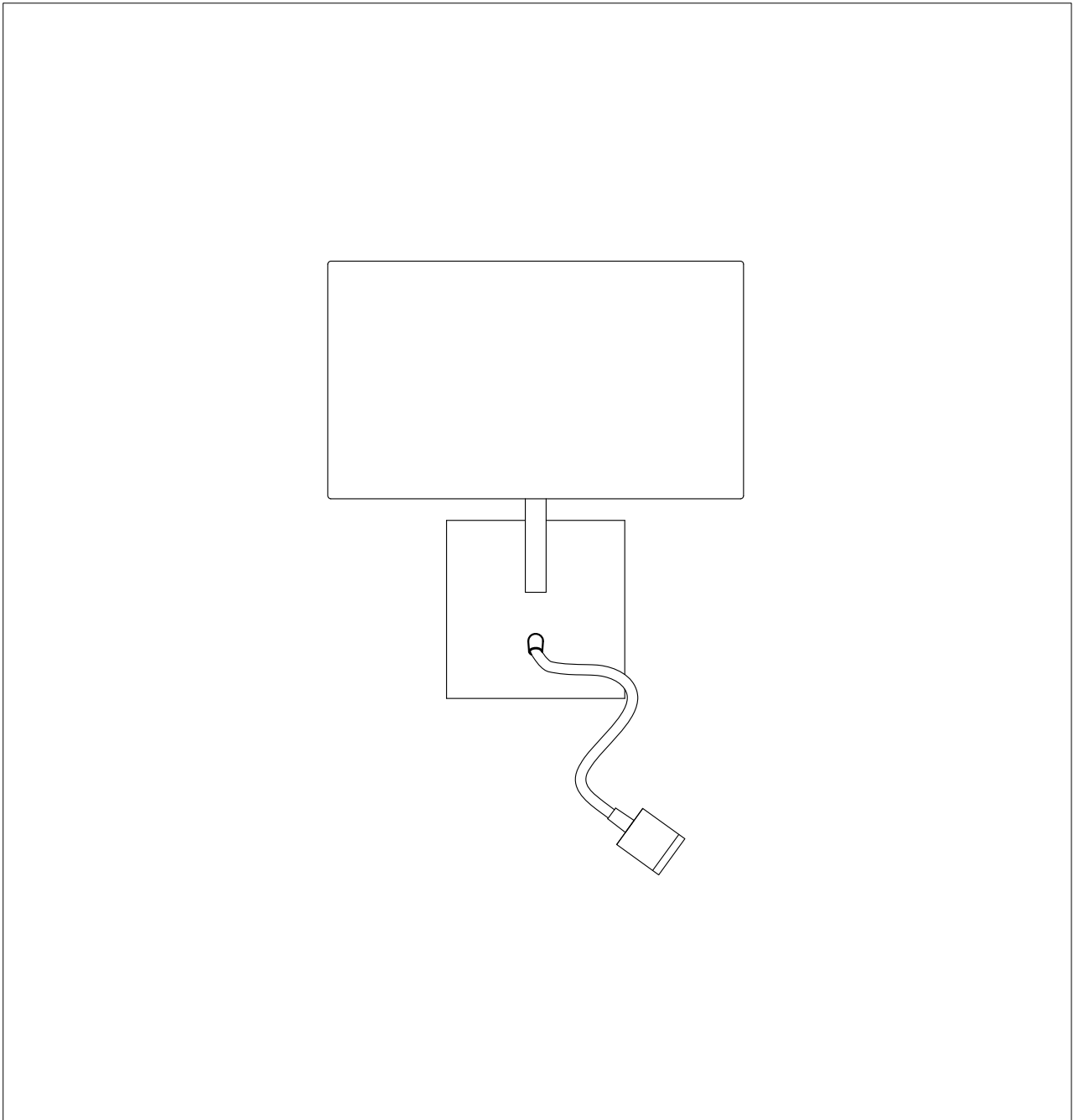




PRODUCT NAME: HOTEL  
ITEM NUMBER: 60120WAPC

Please consult your electrician for hanging fixture and wiring.

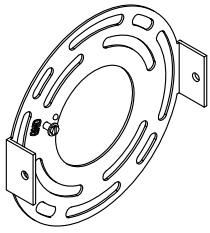


GU24 1X9W+LED 1X1W

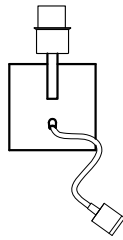
PRODUCTS ARE NOT INTENDED  
FOR COMMERCIAL USE.

MADE IN CHINA  
Page 1 of (2)

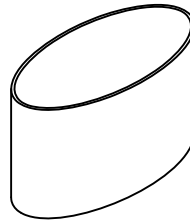
**IMPORTANT:** Turn off the power at the main fuse or circuit breaker box before starting installation



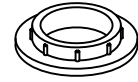
Bracket (A)



Body (B)

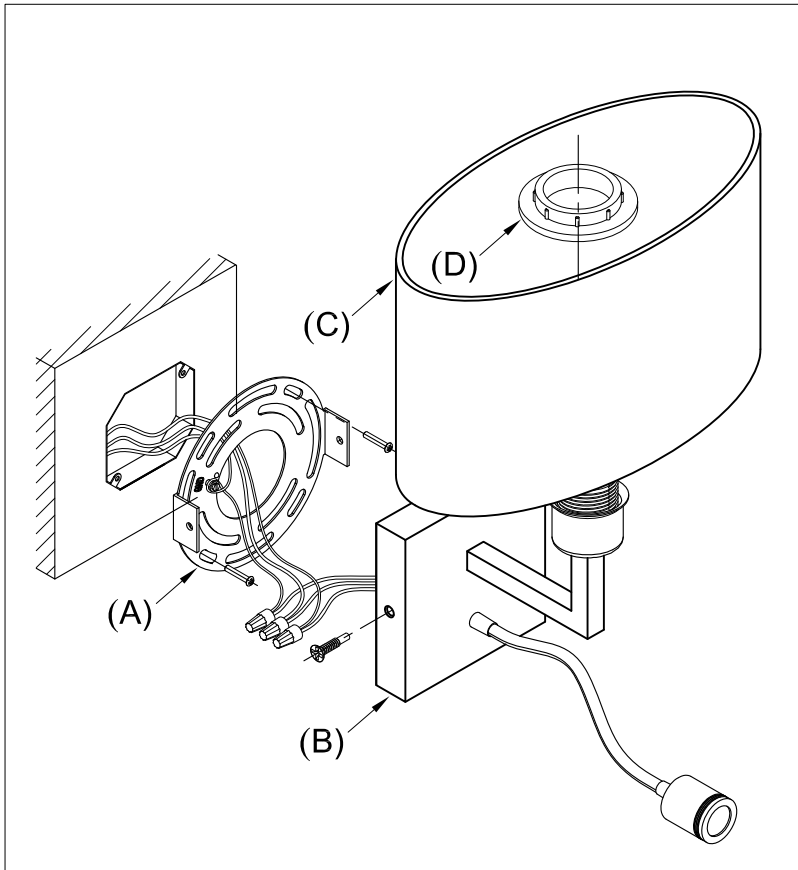


Shade (C)

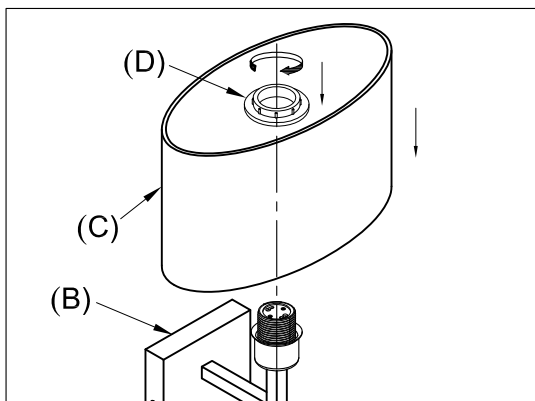


Socket ring (D)

Locate all hardware & components before discarding packaging



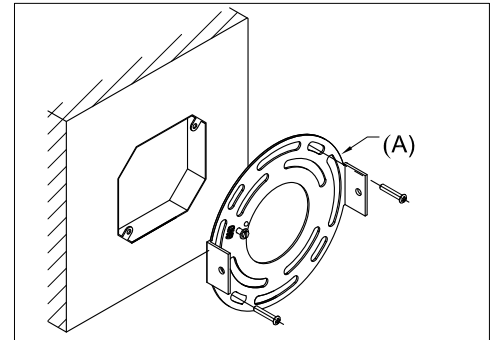
Step 4: Remove the socket ring (D) from fixture (B). Attach shade (C) and secure using socket ring (D).



4.)

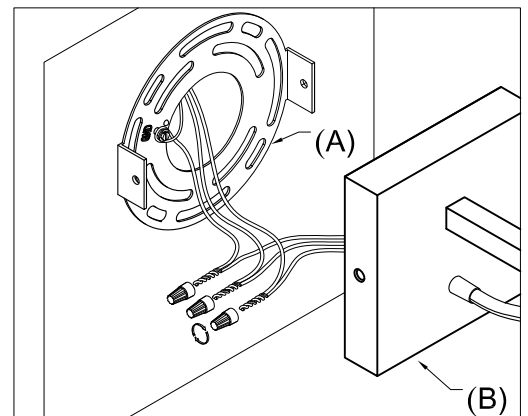
**Cleaning & Care:**

Clean with soft cloth and a mild detergent.  
Do not use abrasive cleaner.



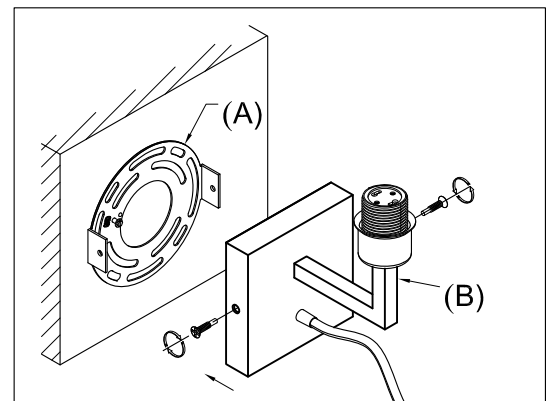
1.)

Step 1: Remove bracket (A) from fixture and install to electrical box.



2.)

Step 2: Wire fixture to wires in outlet box.  
Copper wire is for ground



3.)

Step 3: Attach the body (B) to the mounting bracket (A) using screws provided.