



PRODUCT NAME: HOTEL  
ITEM NUMBER: 60148WAPC

Please consult your electrician for hanging fixture and wiring.

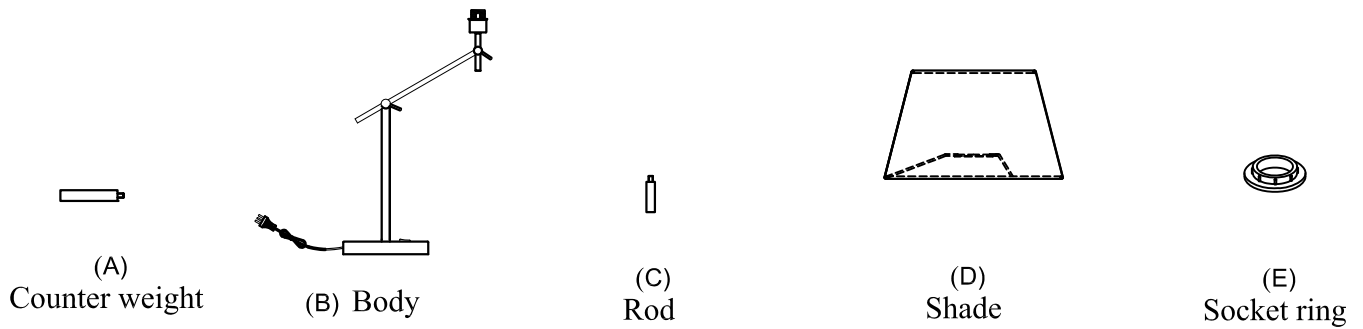


E26 1X16W

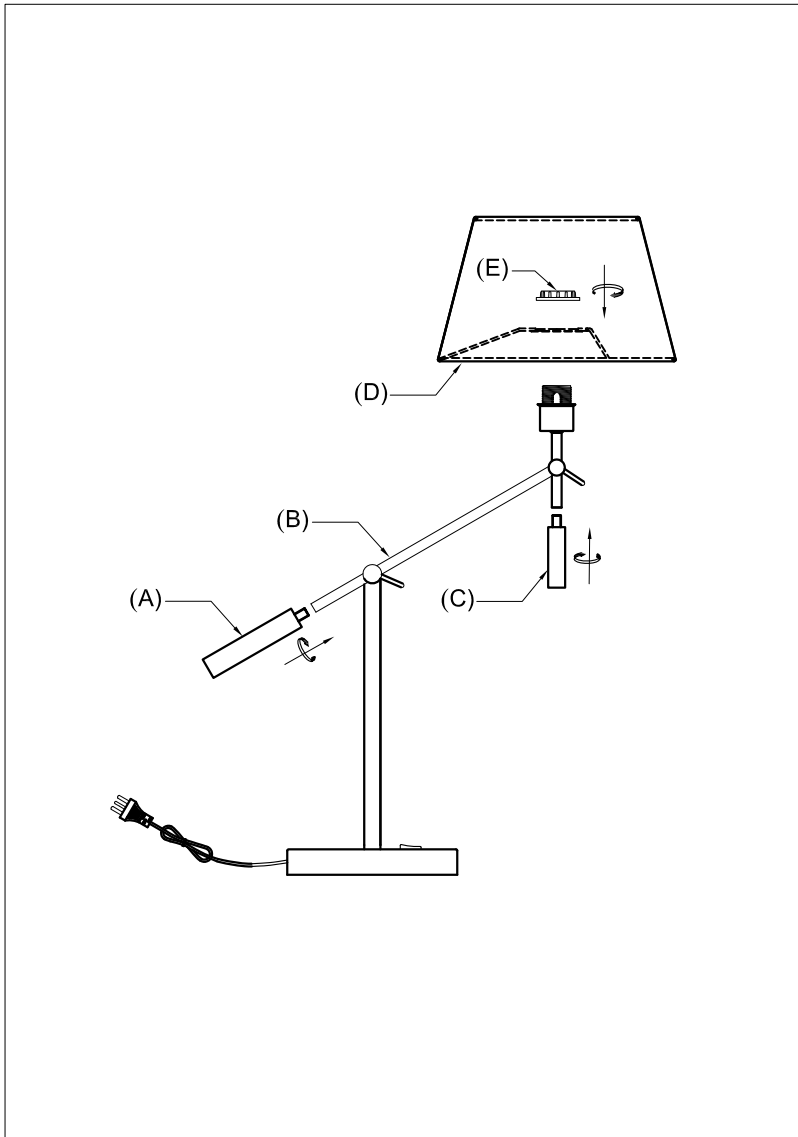
PRODUCTS ARE NOT INTENDED  
FOR COMMERCIAL USE.

MADE IN CHINA  
Page 1 of (2)

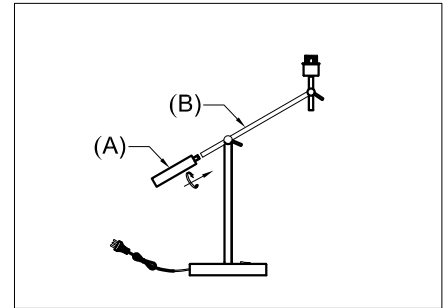
**IMPORTANT:** Turn off the power at the main fuse or circuit breaker box before starting installation



Locate all hardware & components before discarding packaging

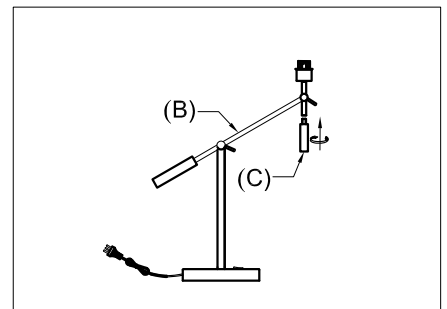


1.)



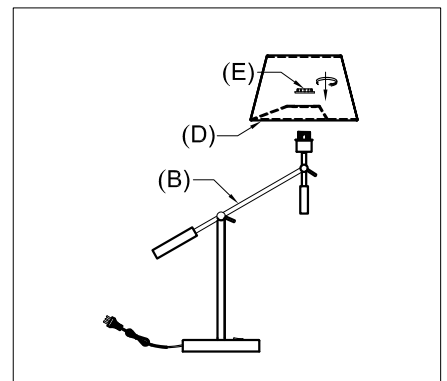
**Step 1:** Attach the counterweight (A) to the back end of the body (B).

2.)



**Step 2:** Thread the decorative rod (C) to the end of the body's socket.

3.)



**Step 3:** Remove the socket ring (E) from fixture (B). Attach shade (D) and secure using socket ring (E).

**Cleaning & Care:**

Clean with soft cloth and a mild detergent.  
Do not use abrasive cleaner.