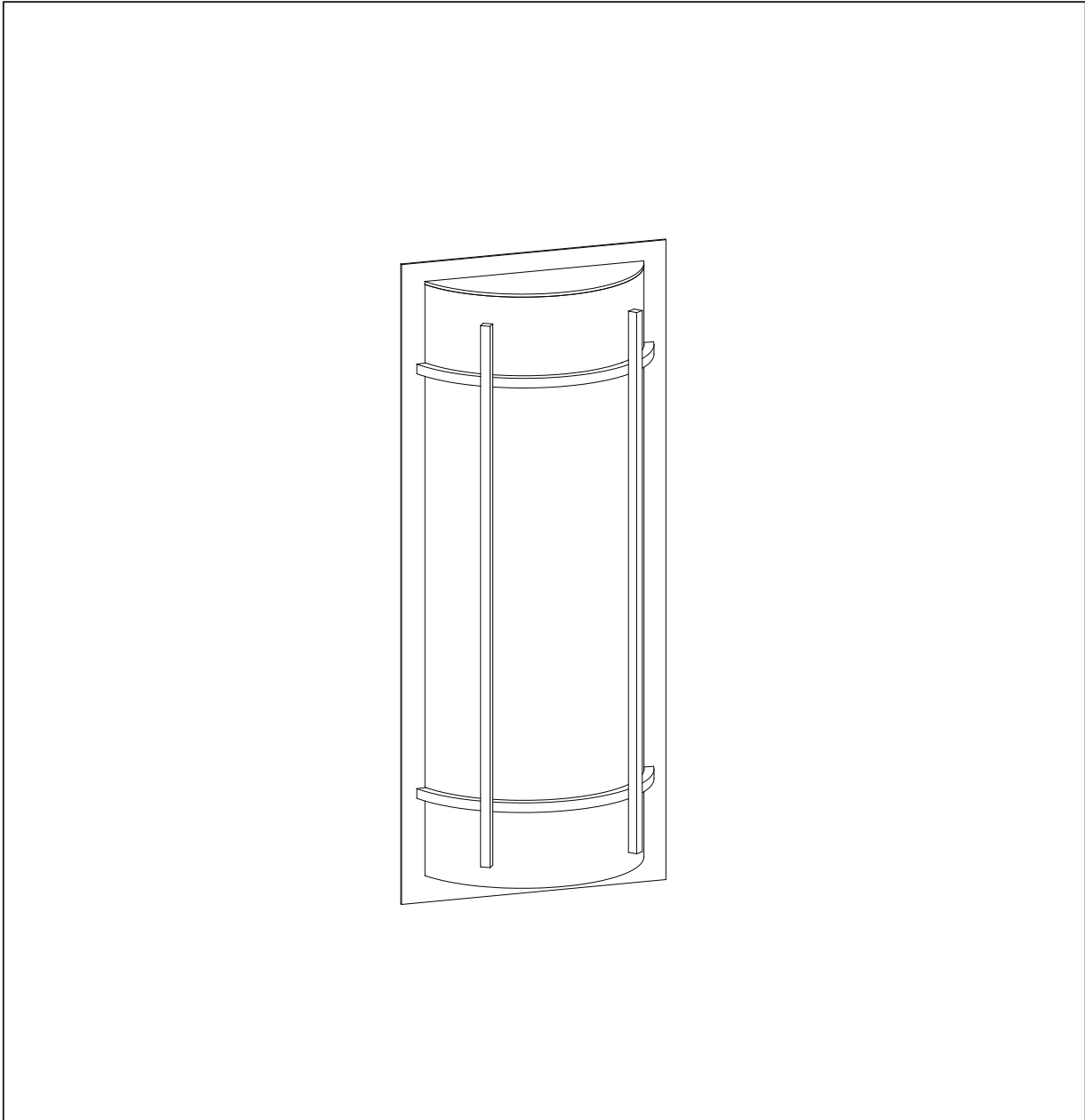




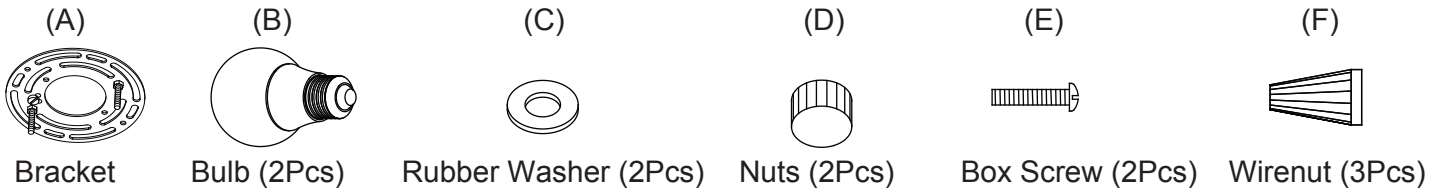
PRODUCT NAME : Luna 2-Light Outdoor Wall Lantern  
ITEM NUMBER : 65216

Please consult your electrician for hanging fixture and wiring.

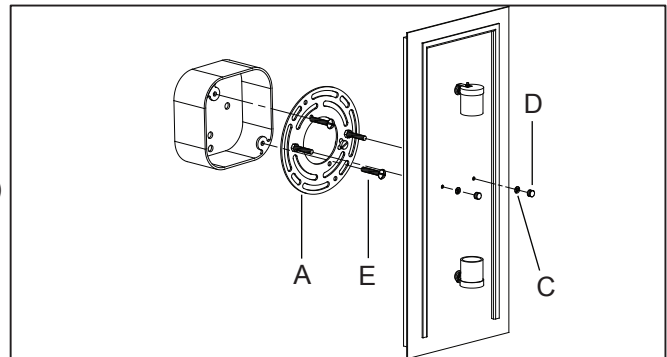
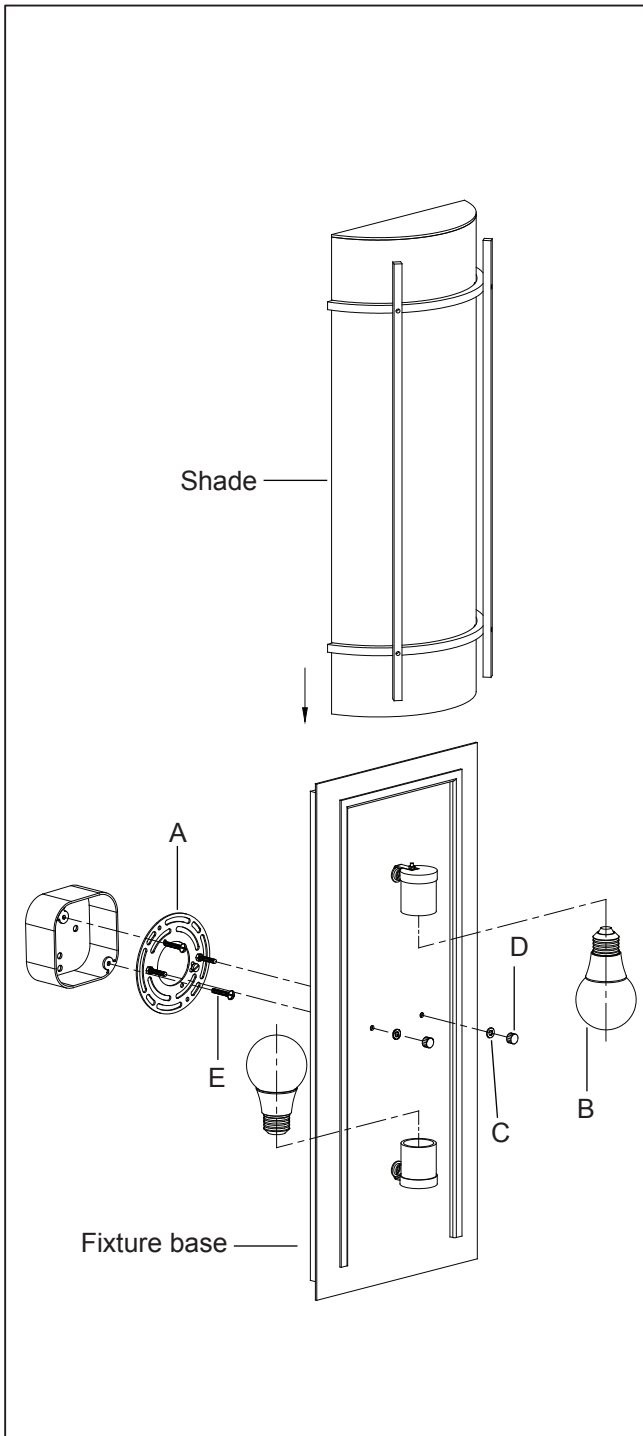


Bulb ( included): 2x9W LED E26 Medium Base Bulb

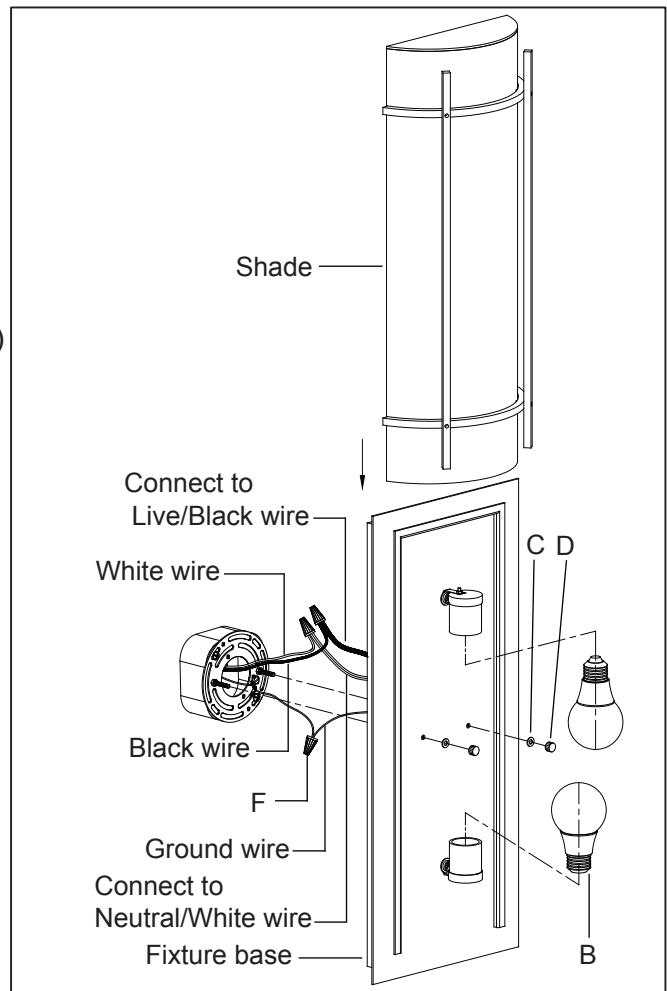
**IMPORTANT :** Turn off the power at the main fuse or circuit breaker box before starting installation



Locate all hardware & components before discarding packaging



Step1: Remove mounting bracket from fixture and install to electrical box.



Step2: Wire fixture to wires in outlet box. Copper wire is for Ground. Attach Fixture base to mounting bracket and tighten with Nuts (D). Screw light bulbs (included) into the socket. Fit the shade onto the Fixture base.

**Cleaning & Care:**  
Clean with soft cloth and a mild detergent.  
Do not use abrasive cleaner.