

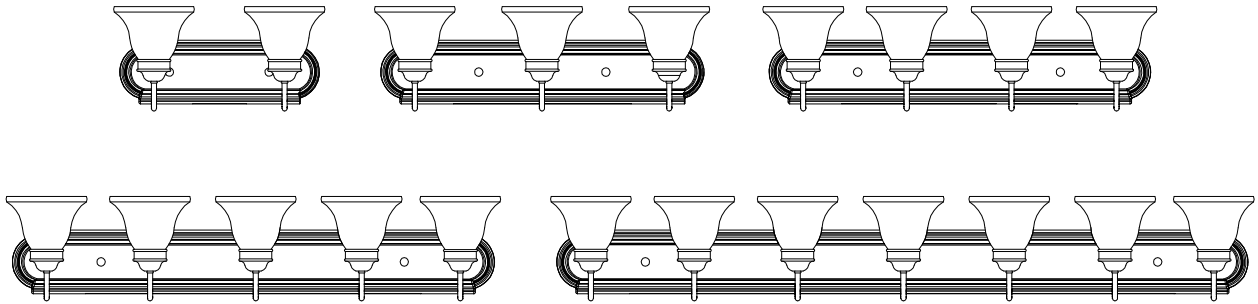
# Series 801x INSTALLATION INSTRUCTION

PRODUCT NAME: WALL SCONCE & VANITY BATH FIXTURE  
 ITEM NUMBER: 8012,8013,8014,8015,8016

Please consult your electrician for hanging fixture and wiring.

## PRODUCT LINE DRAWING

As below left or right physical feature & style



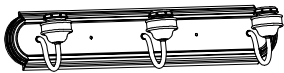




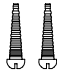


**WARNING:** TURN OFF ELECTRICITY at main fuse box(or circuit breaker box)before beginning installation by removing fuse (or switching off circuit breaker)

**CAUTION:** CONSULT A QUALIFIED ELECTRICIAN TO ENSURE CORRECT BRANCH CIRCUIT CONDUCTOR.

If in doubt about electrical installation,consult a licensed electrician.

**Locate all hardware & components before discarding packaging.Find all parts available in field in case of failing to assembly.**

### ALL PARTS CONTENTS

							
A	B	C	D	E	F	G	H
Fitter x1	Backplate x1 set	Acorn Nut x2	Glass Shade x2 (3, 4, 5, or7)	Anchor x2	Tapping Screw x2	Mounting Screw x2	Wire Connector x3

BULB (NOT INCLUDED)

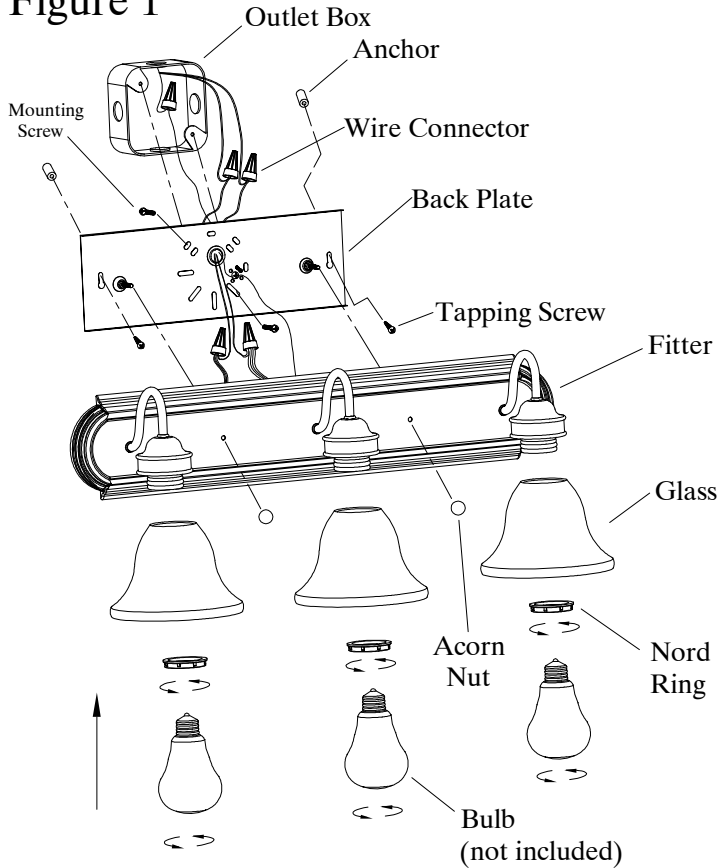
# ASSEMBLY INSTRUCTIONS:

**IMPORTANT: Turn off the power at the main fuse or circuit breaker box before starting installation.**

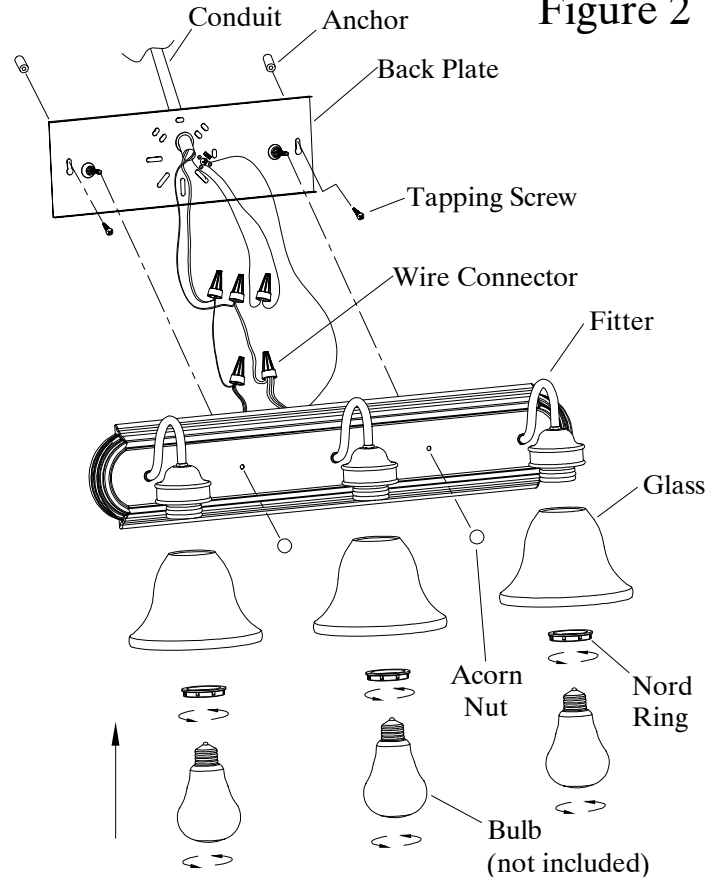
**Notes: 1>These fixtures can hang up and down to the wall;**

**2>These fixtures are intended to be mounted in either of two methods: i.Mount directly to a secured outlet box.(Figure 1)or ii.Directly mount to a wall using tapping screws or other secure method.When not mounting to an outlet box,the wire connections maybe made within the fixture inclosure using appropriate connectors.(Figure 2)**

**Figure 1**



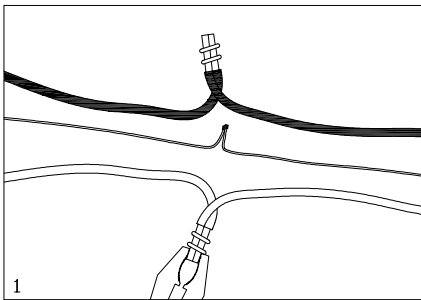
**Figure 2**



**STEP 1: Pull the power supply wires from the Outlet Box ,and strip 3/4in. of insulation from wire ends for each wire.Twist stripped ends of supply wires and fitter together with pliers,black to black(Live) and white to white(neutral).Attach copper wire of fitter to the ground wire of supply.**

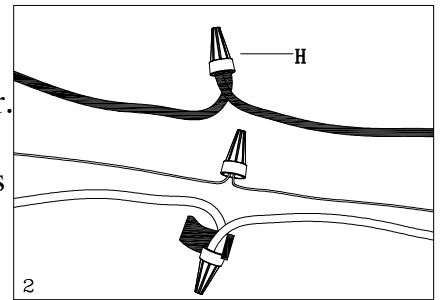
**Notes:if installation is without Outlet Box,first put the Backplate onto the Conduit and fix it prior to wiring.**

**Helpful hint: if necessary,attach copper ground wire to grounded junction box.**



**STEP 2: Attach wire connectors(H) to the wires.Tape wire connectors and wires together.**

**STEP 3:Push connections and splices into Outlet box .**



**STEP 4: Mount the Backplate (B) to the Outlet Box and the wall by Mounting screws(G) and Tapping screws(F) with Anchors(E).**

**STEP 5: Place the Fitter(A) over the Backplate(B) by 2pcs Acorn Nuts(C).**

**STEP 6:Take off the Nord Rings from the socket bases and put the glass shades(D) onto the screws of socket and screw back the Nord Rings onto the socket bases.**

**STEP 7:Screw Bulbs(not included) in the socket bases.**