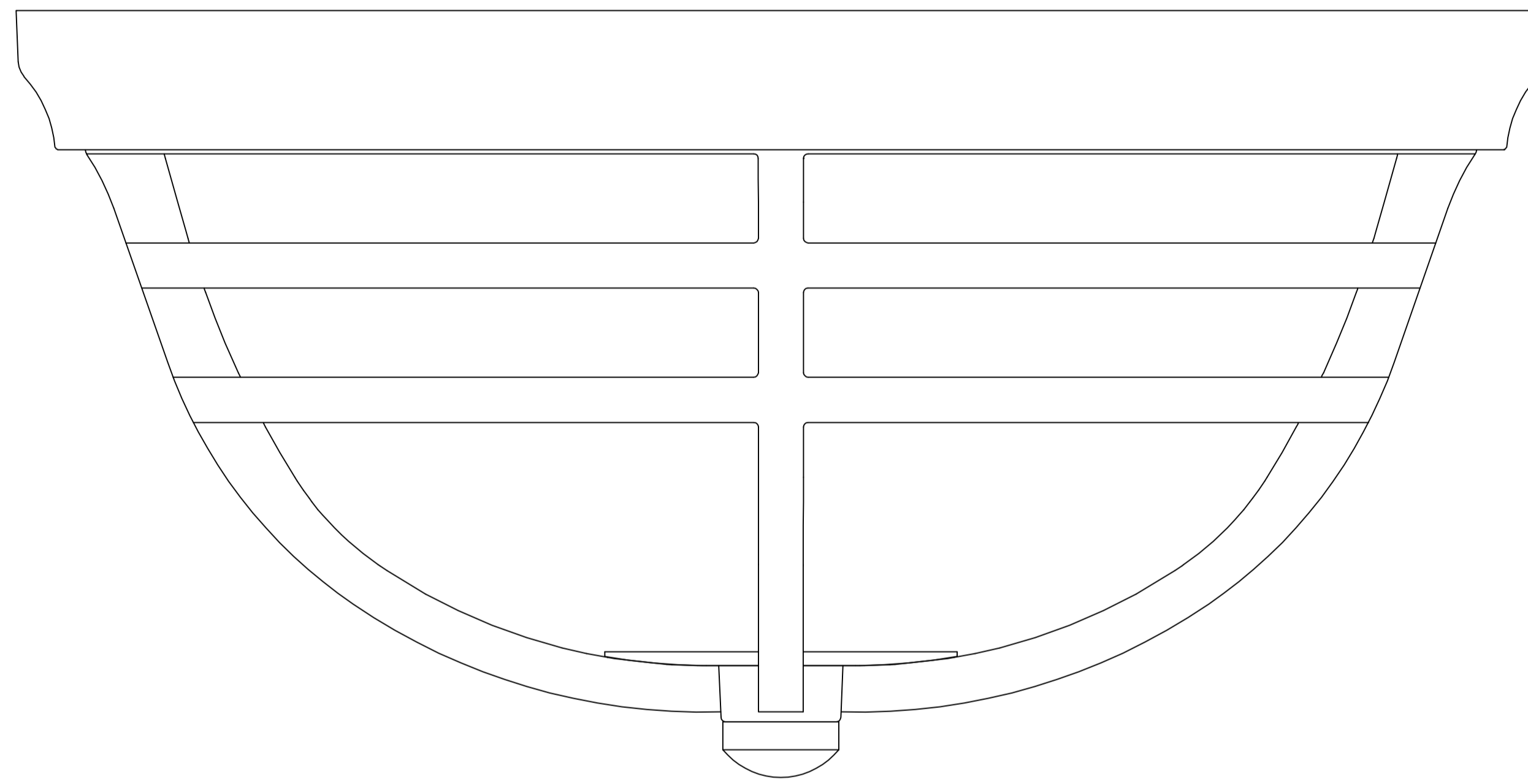




PRODUCT NAME: Westport
ITEM NUMBER: 84109

Please consult your electrician for hanging fixture and wiring.

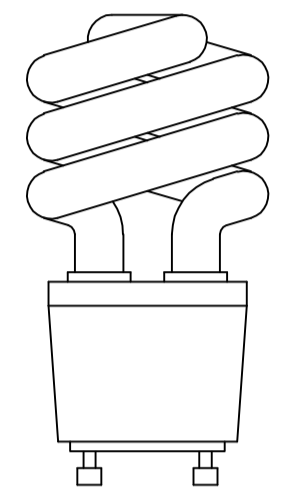
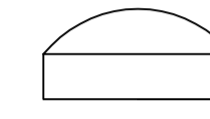
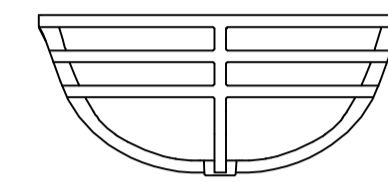
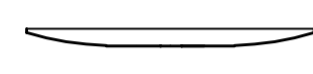
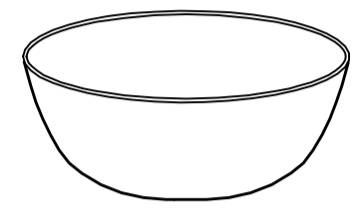
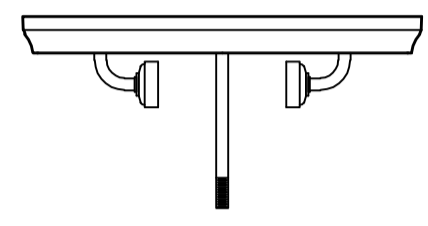
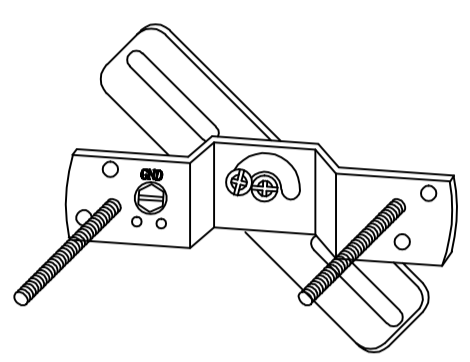


Bulb (included) : GU24 2 × 13W



PRODUCT NAME: Westport
 ITEM NUMBER: 84109

IMPORTANT: Turn off the power at the main fuse or circuit breaker box before starting installation.



Bracket (A)

Fixture (B)

Glass (C)

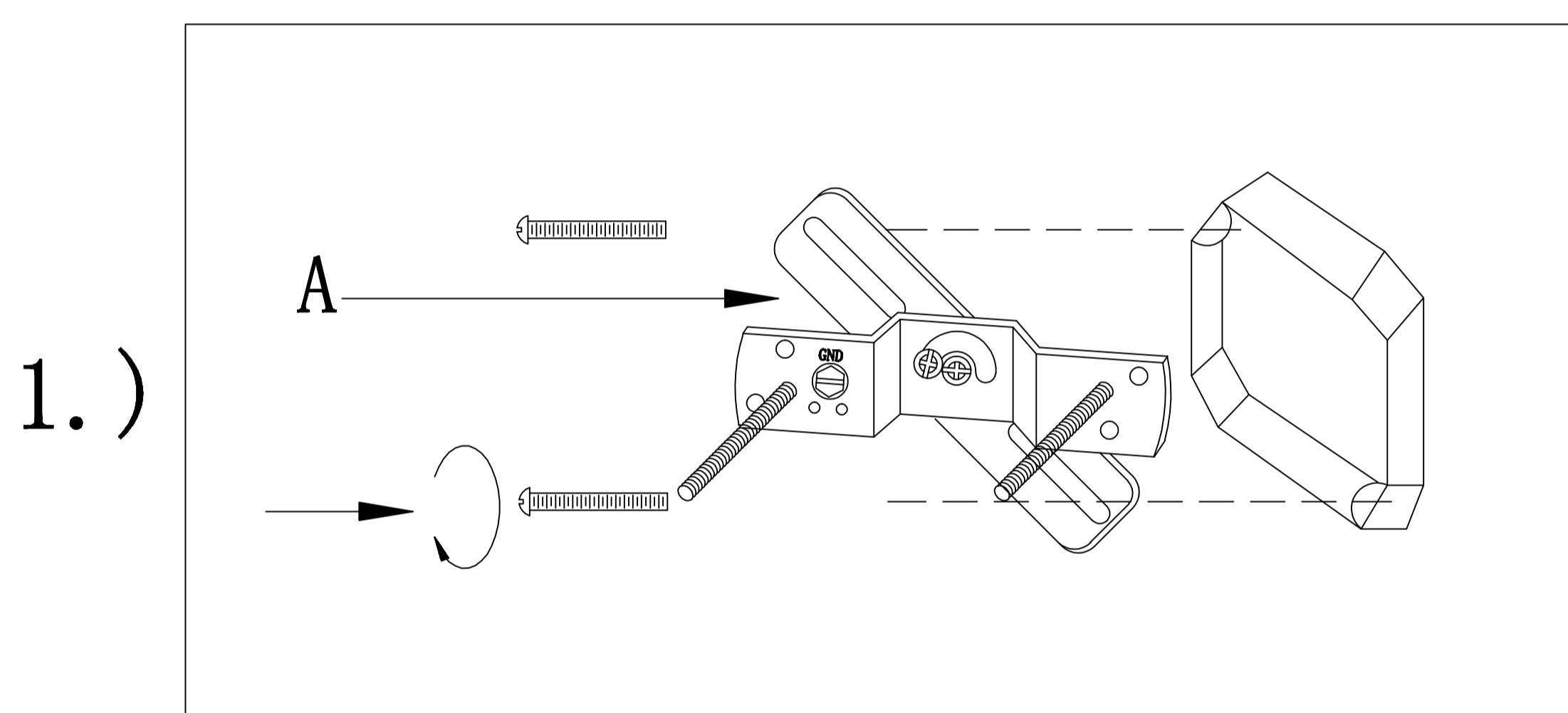
Bottom cover (D)

Cage (E)

Finial (F)

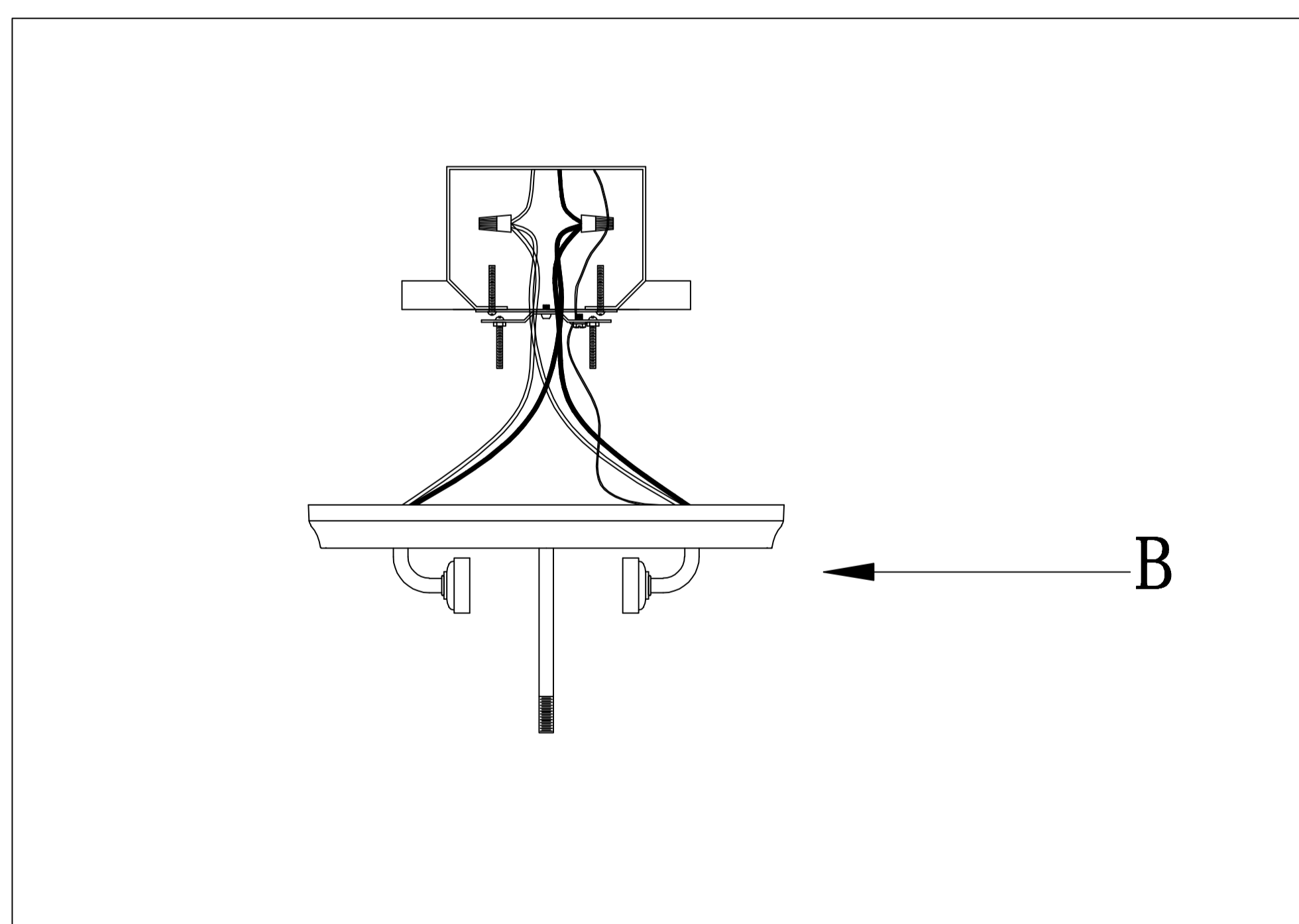
GU24 Bulb (G)

Locate all hardware & components before discarding packaging



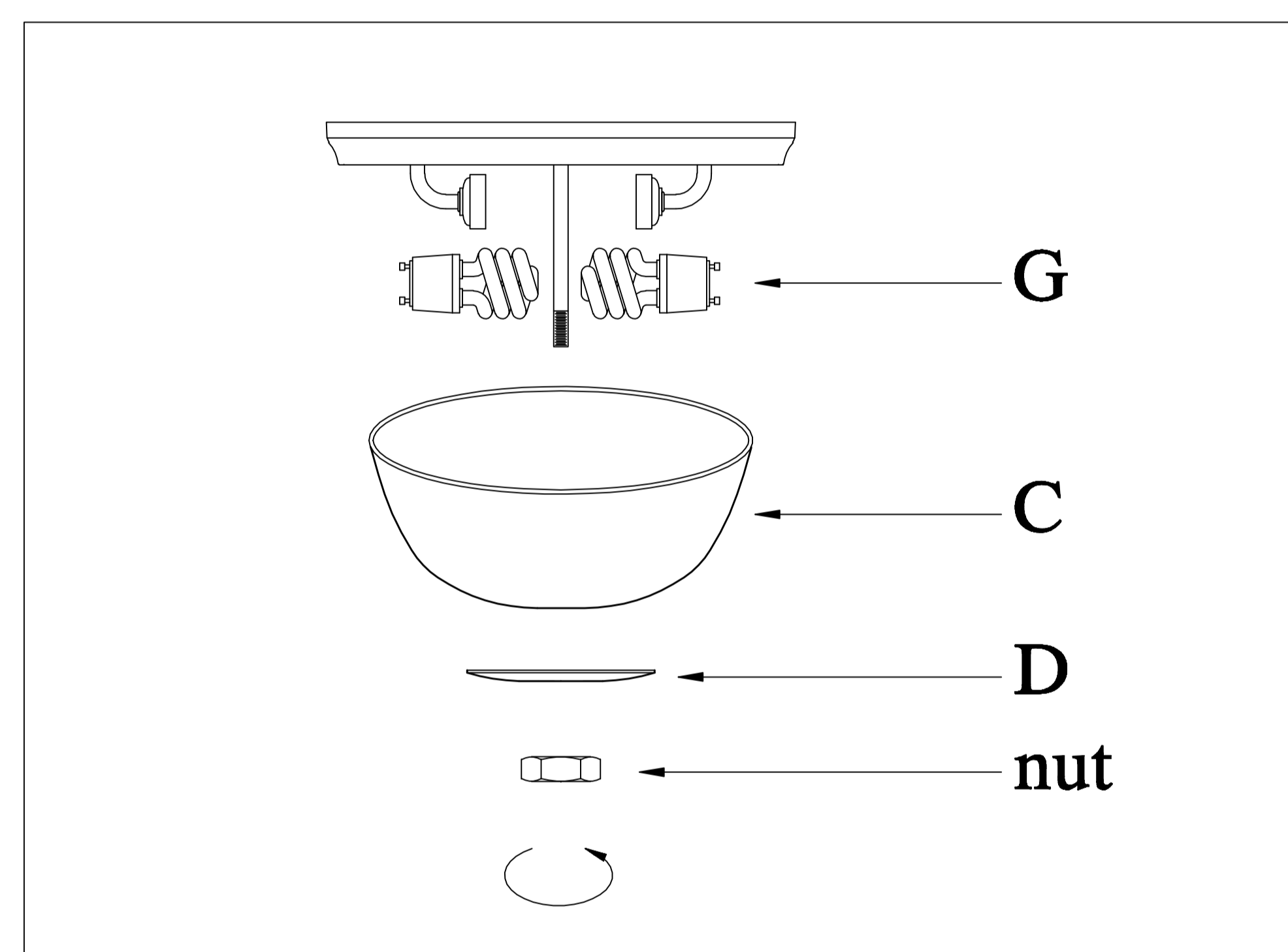
1.)

Step.1: Remove mounting bracket from fixture(B) and install to electrical box. then wire fixture to wires in outlet box. Copper wire is for Ground.



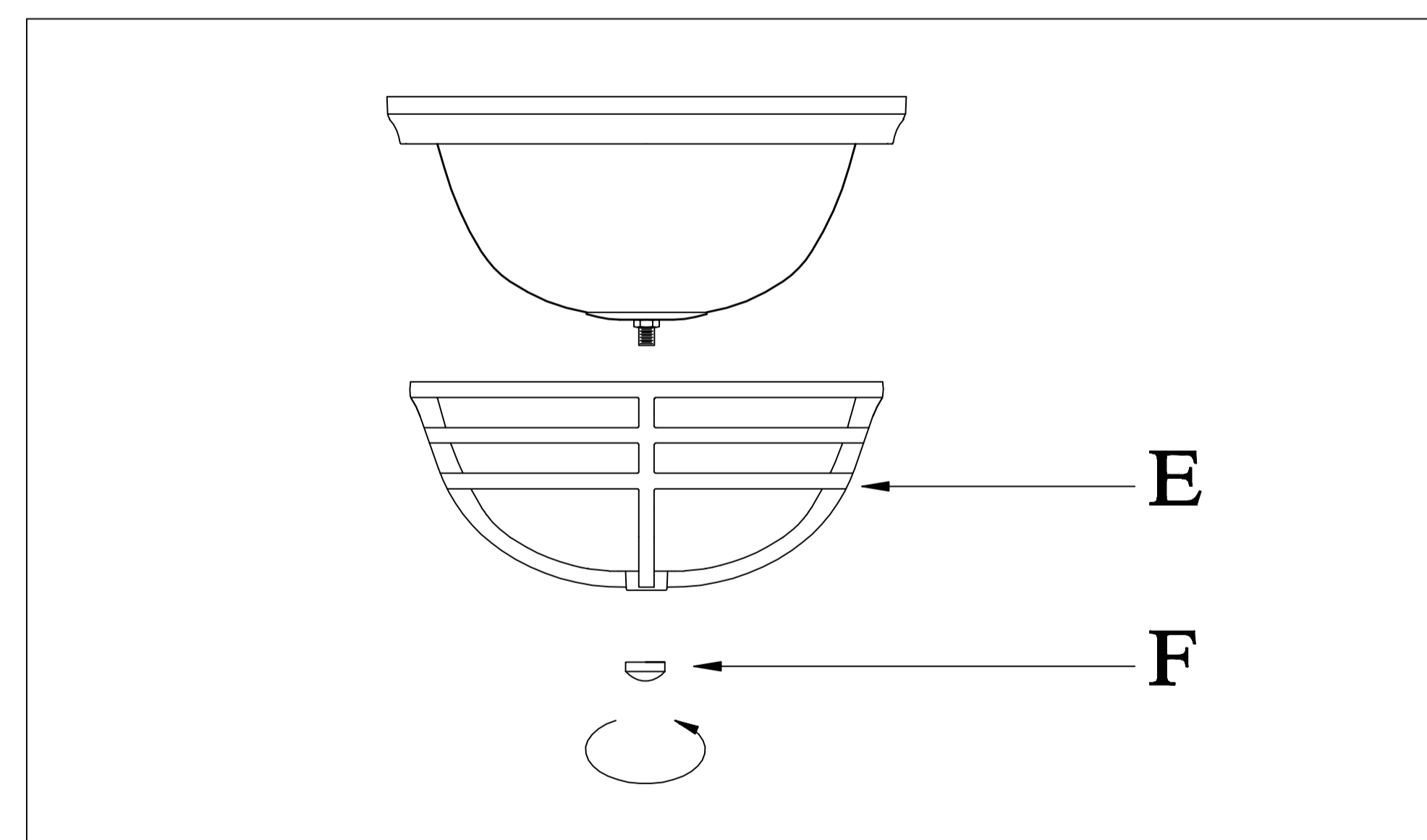
2.)

Step.2: Attach back plate to mounting bracket and tighten ball nuts so fixture meets wall.



3.)

Step.3: Install GU24 blubs(G). Attach glass(C) and bottom cover(D) to the fixture using nut.



4.)

Step.4: Attach hood(E) and finial(F).

Cleaning & Care:

Clean with soft cloth and a mild detergent. DO not use abrasive cleaner.