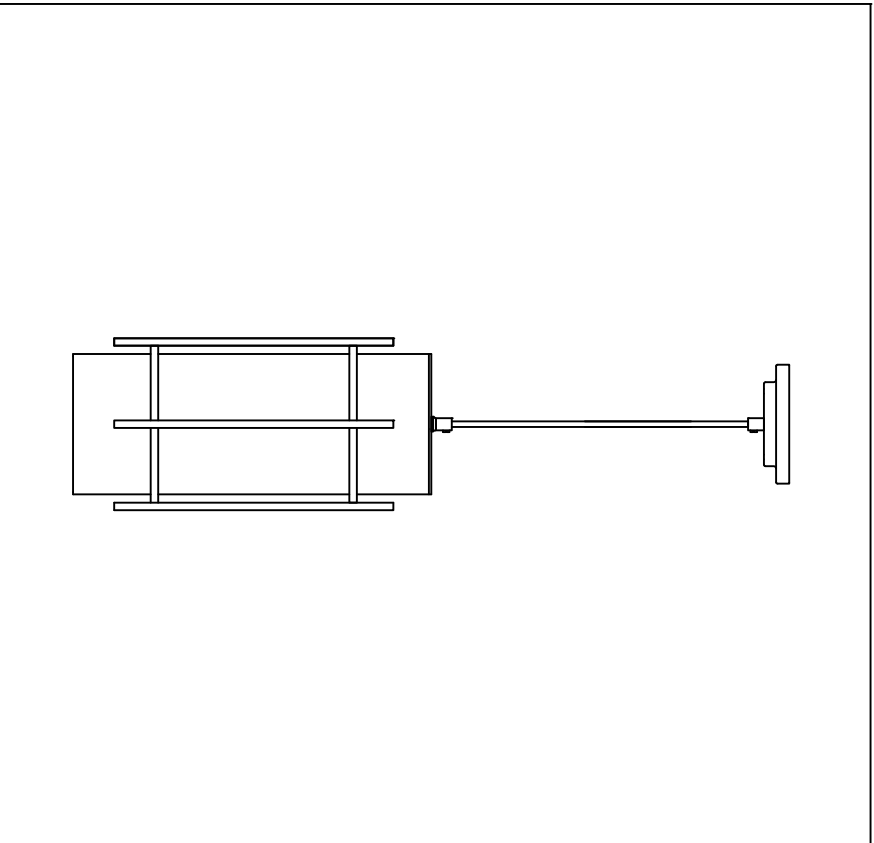




PRODUCT NAME: Luna
ITEM NUMBER: S5213W/TBM

Please consult your electrician for hanging fixture and wiring.



Bulbs :1*GU24*18W(INCLUDING BULB)

PRODUCTS ARE NOT INTENDED FOR COMMERCIAL USE.

MADE IN CHINA
Page 1 of (2)

IMPORTANT: Turn off the power at the main fuse or circuit breaker box before starting installation

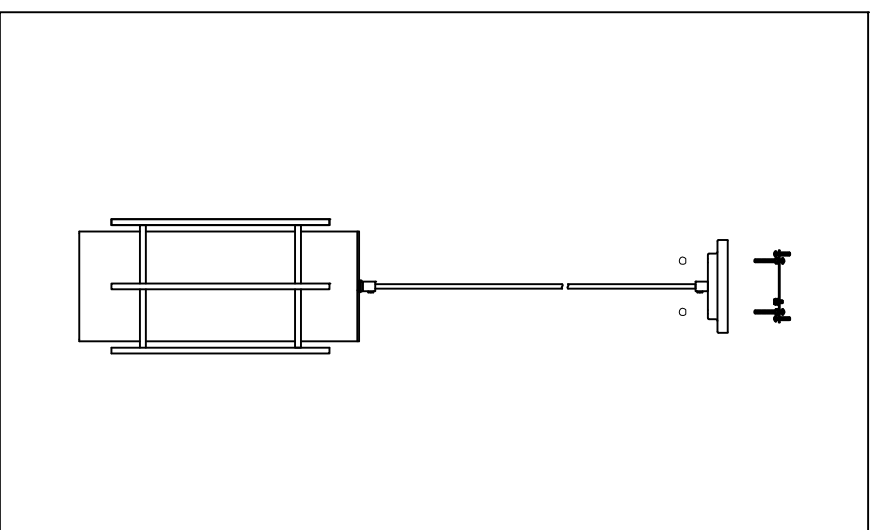


Bracket (A)

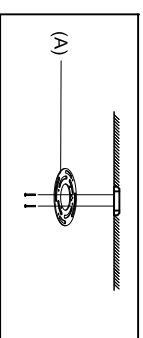


Canopy(B)

Locate all hardware & components before discarding packaging

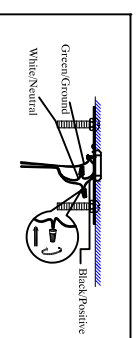


1.)



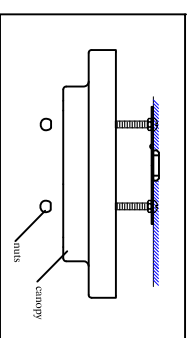
Step 1: Remove mounting bracket from fixture and install to electrical box

2.)



Step 2: Wire fixture to wires in outlet box. Green wire is for Ground

3.)



Step 3: Install fixture to the mounting bracket using ball nuts to secure. Install the rated bulb

Cleaning & Care:

Clean with soft cloth and a mild detergent.

Do not use abrasive cleaner.

Page 2 of (2)