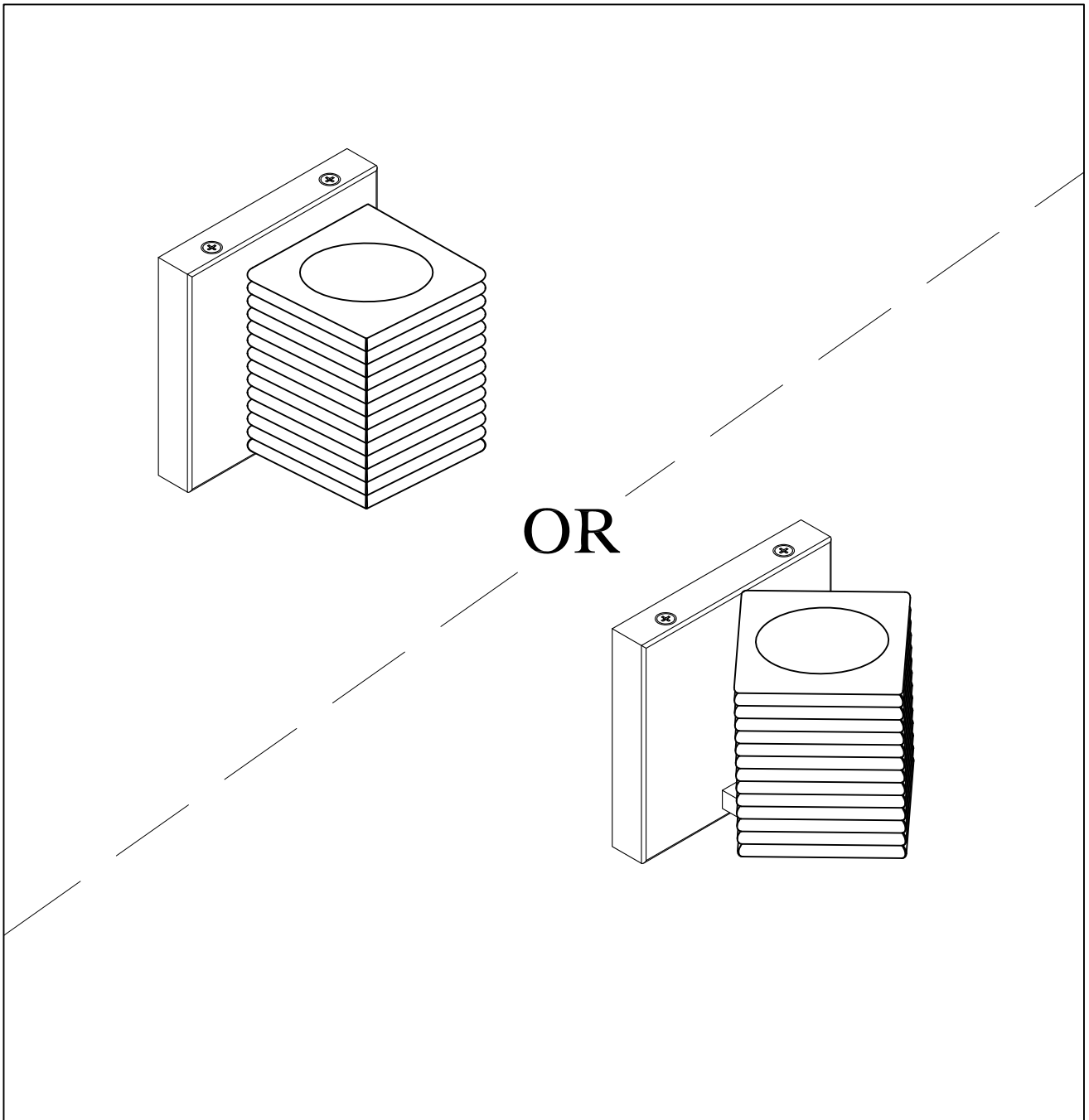




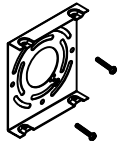
PRODUCT NAME: Groove
ITEM NUMBER: 9071CRPC

Please consult your electrician for hanging fixture and wiring.

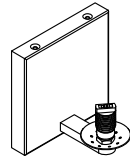


Bulbs (Included): 1 x 4W G9 LED

IMPORTANT: Turn off the power at the main fuse or circuit breaker box before starting installation



Mounting Bracket (A)



Fixture body (B)



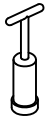
Screw (C)



Glass (D)



Socket ring (E)

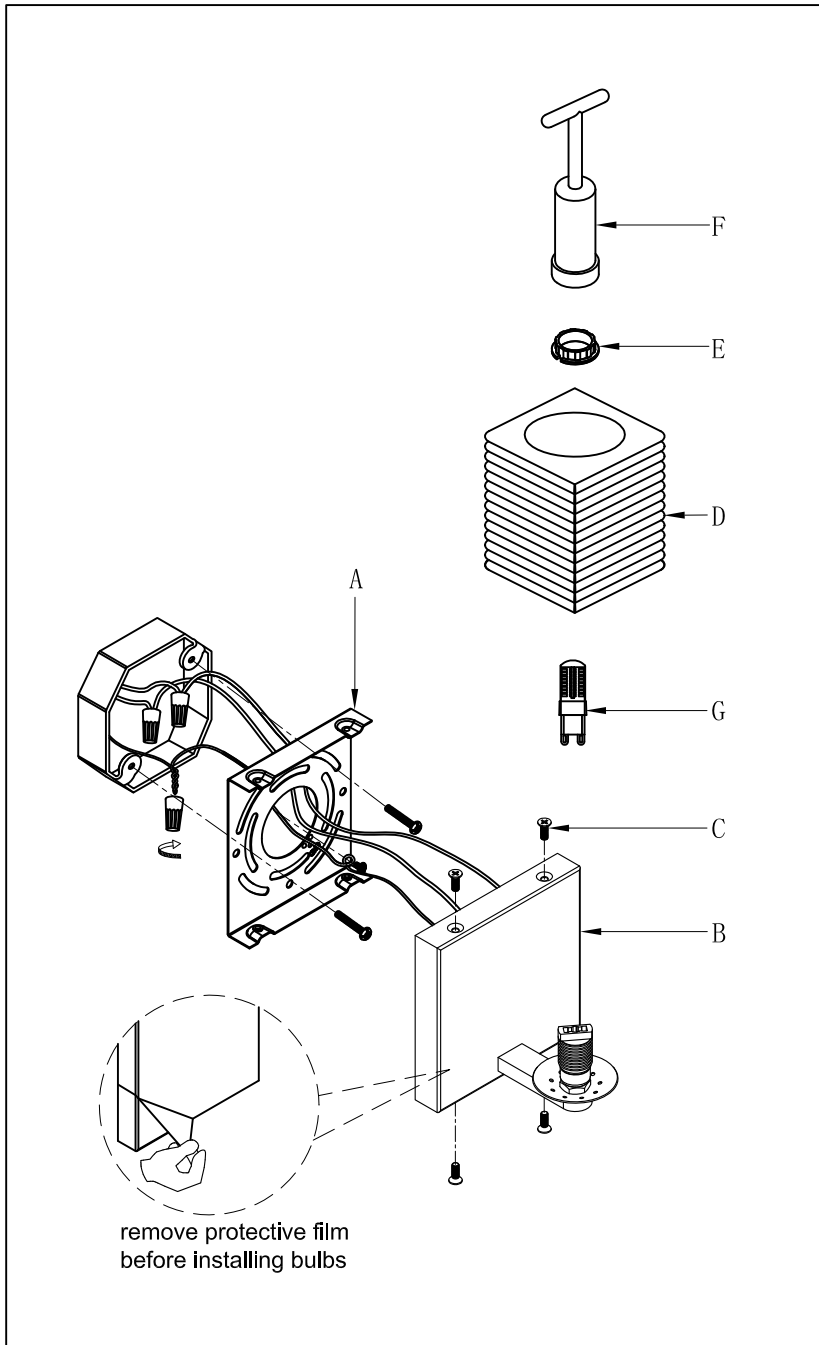


Spanner (F)



G9 LED Bulb (G)

Locate all hardware & components before discarding packaging

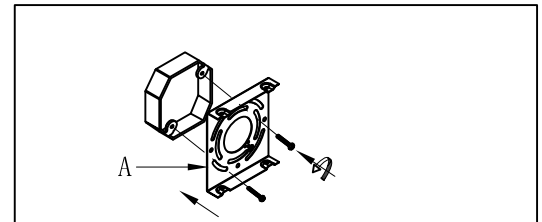


remove protective film before installing bulbs

Cleaning & Care:

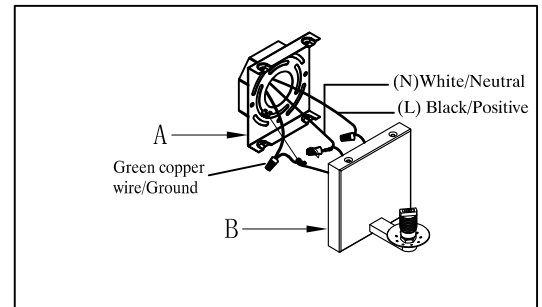
Clean with soft cloth and a mild detergent.
Do not use abrasive cleaner.

1.)



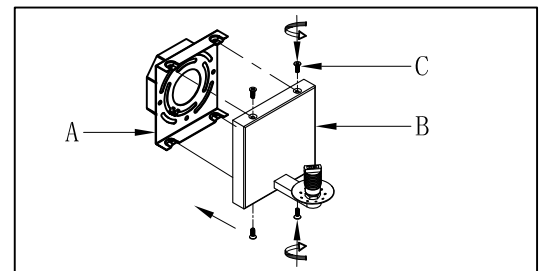
Step.1: Fasten the mounting bracket(A) onto the outlet box using two outlet box screws.

2.)



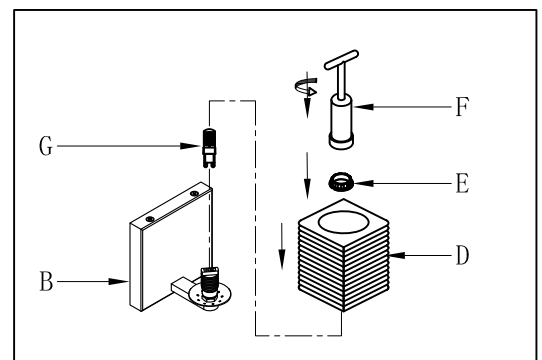
Step.2: Wire fixture to wires in outlet box. Green copper wire is for ground. And carefully position all wires inside the outlet box.

3.)



Step.3: Place the fixture body(B) against mounting bracket, Align the two holes of the mounting bracket and fixture body, then tighten the screws(C).

4.)



Step.4: Install G9 LED bulb(G) into socket, Position Glass(F) onto the socket of fixture body(C), then secure with socket ring(D) with Glass (F) onto Fixture body(C) by using spanner(E).