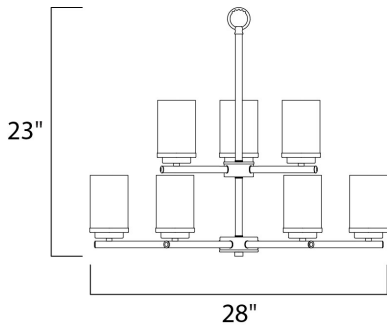




**PRODUCT DESCRIPTION**

Minimalistic frames in a variety of brilliant finishes with your choice of either frosted or clear glass shades. While its sleek simplicity are modern in design, the Corona perfectly shines in any indoor application or style.






**MEASUREMENTS**

DIMENSION : 28" L x 28" W x 23" H  
 CANOPY : 5.12" W x 0.79" H x 5.12" L  
 HANGING WEIGHT : 13.27 lb

**LAMPING**

INPUT VOLTAGE : 120V  
 BULB : 9 x 60W Incandescent E26 Medium , 540W Total  
 BULB INCLUDED : (Not Included)  
 DIMMABLE : Yes

**FINISHES OPTION**

-  Black
-  Satin Brass
-  Satin Nickel

**GLASS**

Frosted FT

**MATERIAL**

Steel, Glass

**RATINGS**

cULus  
 Dry Location



**ADDITIONAL**

ADJUSTABLE  
 OPERATING TEMPERATURE:  
 -20°C (-4°F), 40°C (104°F)

Always consult a qualified electrician before installing any lighting product.



**WESTERN DISTRIBUTION CENTER (HEADQUARTER)**  
 253 NORTH VINELAND AVE | CITY OF INDUSTRY, CA 91746

**EASTERN DISTRIBUTION CENTER**  
 4200 SHIRLEY DR. | ATLANTA, GA 30336

P. 626.956.4200 | F. 626.956.4225 | maximlighting.com