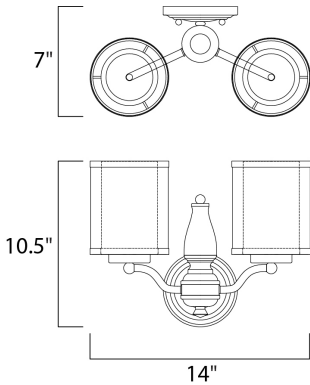




PRODUCT DESCRIPTION

Drum shades constructed from two layers of sheer Organza fabric laminated to clear inner liner, allows light to shine out as well as down. White glass cylinder shades diffuse light and conceal the light source. Available in your choice of 2 finish combinations, Silver Sheer shade on Satin Nickel and Tan Sheer shade on Oil Rubbed Bronze.





MEASUREMENTS

DIMENSION : 14" W x 11" H x 7" Ext
 MAX OAH : 10.5" OAH 4.75" W x 1" H
 HANGING WEIGHT : 3.17 lb

LAMPING

INPUT VOLTAGE : 120V
 BULB : 2 x 60W Incandescent E26 Medium , 120W Total
 BULB INCLUDED : (Not Included)
 DIMMABLE : Yes

FINISHES OPTION

-  Oil Rubbed Bronze (OI)
-  Satin Nickel (SN)

MATERIAL

Steel

RATINGS

Dry Location



ADDITIONAL

INSTALL UP/DOWN: Up
 OPERATING TEMPERATURE:
 -20°C (-4°F), 40°C (104°F)

Always consult a qualified electrician before installing any lighting product.



WESTERN DISTRIBUTION CENTER (HEADQUARTER)
 253 NORTH VINELAND AVE | CITY OF INDUSTRY, CA 91746

EASTERN DISTRIBUTION CENTER
 101 GARDNER PARK | PEACHTREE CITY, GA 30269

P. 626.956.4200 | F. 626.956.4225 | maximlighting.com