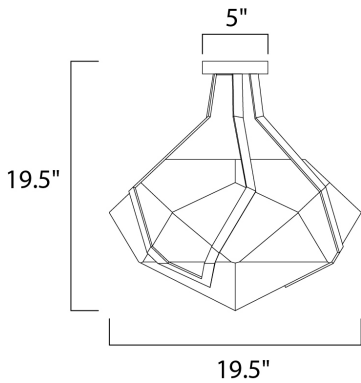




**PRODUCT DESCRIPTION**

Hand formed faceted spheres of faux Alabaster are cradled by metal frames finished in Bronze Gilt and Gold Leaf interior. These contemporary forms are illuminated by high powered LEDs to enhance the beauty of the marble and provide ample light.



**MEASUREMENTS**

DIMENSION : 19.5" L x 19.5" W x 19.5" H  
 CANOPY : 5" W x 1" H x 5" L  
 HANGING WEIGHT : 21.45 lb

**LAMPING**

LUMENS : 2,240 Rated  
 BULB : 1 x LED AC Integrated , 32W Total  
 BULB INCLUDED : (Integrated)  
 DIMMABLE : Triac CL  
 CRI : 90+ CRI  
 COLOR\_TEMP : 3000K

**FINISHES OPTION**

 Bronze Gilt / Gold

**MATERIAL**

Metal

**RATINGS**

cETLus  
 Dry Location



**ADDITIONAL**

OPERATING TEMPERATURE:  
 -20°C (-4°F), 40°C (104°F)

Always consult a qualified electrician before installing any lighting product.



**WESTERN DISTRIBUTION CENTER (HEADQUARTER)**  
 253 NORTH VINELAND AVE | CITY OF INDUSTRY, CA 91746

**EASTERN DISTRIBUTION CENTER**  
 4200 SHIRLEY DR. | ATLANTA, GA 30336

P. 626.956.4200 | F. 626.956.4225 | maximlighting.com