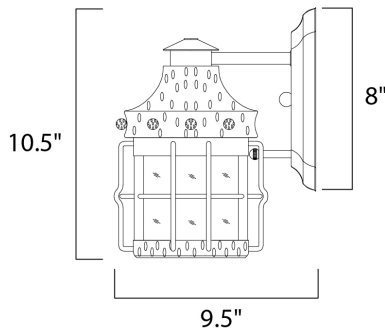




PRODUCT DESCRIPTION



MEASUREMENTS

DIMENSION : 6.5" W x 10.5" H x 9.5" Ext
 BACK PLATE : 4.5" W x 8" H x 4" HCO
 HANGING WEIGHT : 4.39 lb

LAMPING

INPUT VOLTAGE : 120V
 LUMENS : 900 Rated (650 Del.)
 BULB : 1 x 9W LED E26 Medium , 9W Total
 BULB INCLUDED : (Included)
 CRI : 90+ CRI
 COLOR_TEMP : 3000K

FINISHES OPTION

 Country Forge (CF)

GLASS

Frosted Seedy FS

MATERIAL

Forged Steel

RATINGS

cETLus
 Wet Location
 JA8 Bulb In



ADDITIONAL

RATED LIFE 25000 Hours
 OPERATING TEMPERATURE:
 -20°C (-4°F), 40°C (104°F)

Always consult a qualified electrician before installing any lighting product.



WESTERN DISTRIBUTION CENTER (HEADQUARTER)
 253 NORTH VINELAND AVE | CITY OF INDUSTRY, CA 91746

EASTERN DISTRIBUTION CENTER
 101 GARDNER PARK | PEACHTREE CITY, GA 30269

P. 626.956.4200 | F. 626.956.4225 | maxilighting.com