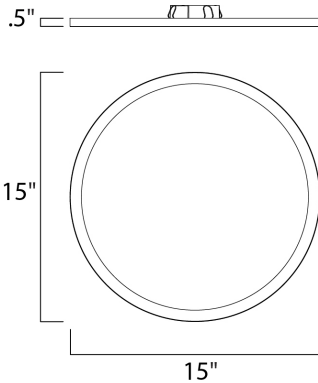




PRODUCT DESCRIPTION

Wafer was designed for the discriminate consumer who wants the low profile look of recessed without the high cost. Manufactured of die cast aluminum, Wafer brings ultimate heat dissipation to its edge lit technology. Edge lighting gives very even light distribution while dispersing heat over a larger area. The result of this is longer LED life and better light diffusion.



MEASUREMENTS

DIMENSION : 15" L x 15" W x 0.5" H
 MAX OAH : 0.5" OAH x 4.1" W
 HANGING WEIGHT : 4 lb

LAMPING

INPUT VOLTAGE : 120-277V
 LUMENS : 2,500 Rated (2,200 Del.)
 BULB : 1 x 36W LED PCB Integrated , 36W Total
 BULB INCLUDED : (Integrated)
 DIMMABLE : Only at 120V with ELV
 CRI : 90+ CRI
 COLOR_TEMP : 3000K

FINISHES OPTION

 White (WT)

GLASS

White WT

MATERIAL

PMMA Acrylic, Aluminum

RATINGS

cETLus
 Wet Location



ADDITIONAL

RATED LIFE 50000 Hours
 OPERATING TEMPERATURE:
 -20°C (-4°F), 40°C (104°F)

PHOTOMETRIC: Report Found Online

Always consult a qualified electrician before installing any lighting product.



WESTERN DISTRIBUTION CENTER (HEADQUARTER)
 253 NORTH VINELAND AVE | CITY OF INDUSTRY, CA 91746

EASTERN DISTRIBUTION CENTER
 101 GARDNER PARK | PEACHTREE CITY, GA 30269

P. 626.956.4200 | F. 626.956.4225 | maximlighting.com