

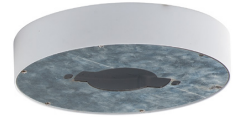
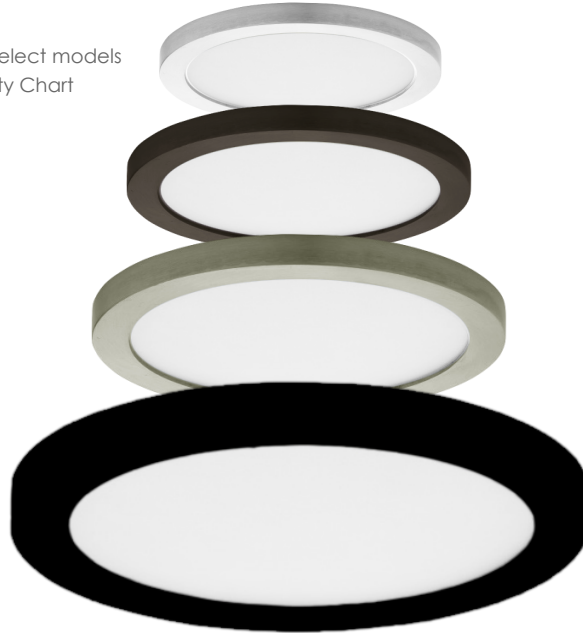
WAFER | LED SURFACE MOUNT

58710 | 58712 | 58714 | 58736 | 58810 | 58812 | 58814

*58780 | *58784

- Range Voltage Input 120-277V
- Die Cast Aluminum frame
- Edge Lit LED technology
- T24 Options
- Patented Driver **WO2022166960A1** Installation on select models
- For Dimmer information: See Dimming Compatibility Chart

Job Name : _____
 Job Type : _____
 Quantity : _____
 Comments : _____



58780WT
7" Empty Shell



58784WTWT
Wafer LED 7"
Emergency Back Up

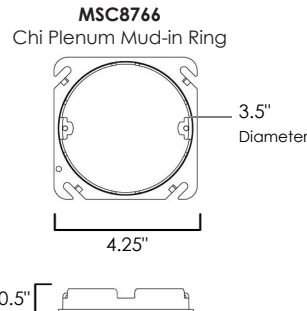
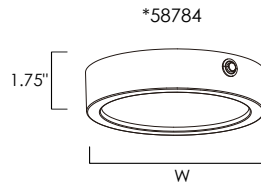
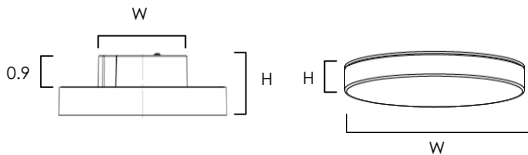


MSC8766
Mud-in Ring

PRODUCT DESCRIPTION

Wafer was designed for the discriminate consumer who wants the low profile look of recessed without the high cost. Manufactured of die cast aluminum, Wafer brings ultimate heat dissipation to its edge lit technology. Edge lighting gives very even light distribution while dispersing heat over a larger area. The result of this is longer LED life and better light diffusion.

3-0 or 4-0 junction box requires a minimum depth of 1.5"



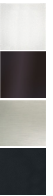
FINISHES OPTIONS:

White (WT)

Bronze (BZ)

Satin Nickel (SN)

Black (BK)



MATERIAL:

Aluminum
Polycarbonate Lens

AVAILABLE SIZES: *NOMINAL

5" | 7" | 9" | 15"

RATINGS:

Title 24 JA8 Compliant
ADA extension
Dimmable



ADDITIONAL:

RATED LIFE: 50,000 Hours
OPERATING TEMP: -20° C (-4°), 40°C (104°F) PHOTOMETRIC: Reports Available
Patented Technology:
WO2022166960A1 in 9" and above

MEASUREMENTS

LAMPING

MODEL	DIMENSION	BULB TYPE	CCT	CRI	LUMENS		DIMMABLE	V INPUT
					RATED	DELIVERED		
58710	5.5"W x 0.5"H	10W Integrated LED	3000K	90+	930	700	ELV	120-277V
58810	5.5"W x 0.5"H	10W Integrated LED	4000K	90+	930	750	ELV	120-277V
58712	7"W x 0.5"H	15W Integrated LED	3000K	90+	1250	1150	ELV	120-277V
58812	7"W x 0.5"H	15W Integrated LED	4000K	90+	1500	1200	ELV	120-277V
58714	9"W x 0.5"H	20W Integrated LED	3000K	90+	2100	1650	ELV	120-277V
58814	9"W x 0.5"H	20W Integrated LED	4000K	90+	2200	1700	ELV	120-277V
58736	15"W x 0.5"H	30W Integrated LED	3000K	90+	3000	2500	ELV	120-277V
*58784	7"W x 1.5"H	17W Integrated LED	3000K	90+	1250	1150	0-10V	120-277V
MSC8766	4.25"W x 0.5"H							

*EMERGENCY BACK UP MODEL. MINIMUM 15 HOURS FOR FULL CHARGE. LASTS 1.5 HOURS ON BATTERY

Always consult a qualified electrician before installing any lighting product



WESTERN DISTRIBUTION CENTER (HEADQUARTER)

253 NORTH VINELAND AVE | CITY OF INDUSTRY, CA 91746

EASTERN DISTRIBUTION CENTER

101 GARDNER PARK | PEACHTREE CITY, GA 30269

P. 626.956.4200 | F. 626.956.4225 | maximlighting.com