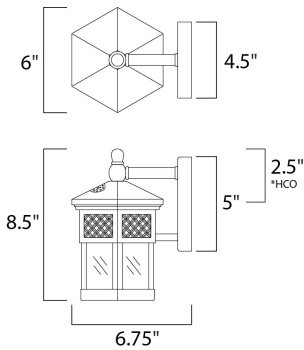




PRODUCT DESCRIPTION

Scottsdale EE is a traditional, Mediterranean style, energy saving collection from Maxim Lighting International in Country Forge finish with Frosted Seedy glass.



*height from center of outlet to the top of the fixture


MEASUREMENTS

DIMENSION : 6" W x 8.5" H x 6.75" Ext
 BACK PLATE : 4.5" W x 5" H x 2.5" HCO
 HANGING WEIGHT : 3.35 lb

LAMPING

INPUT VOLTAGE : 120V
 LUMENS : 900 Rated
 BULB : 1 x 13W Fluorescent GU24 , 13W Total
 BULB INCLUDED : (Included)
 DIMMABLE : No
 COLOR_TEMP : 2700K

FINISHES OPTION

 Country Forge

GLASS

Frosted Seedy FS

MATERIAL

Forged Iron

RATINGS

cETLus
 Wet Location



ADDITIONAL

INCANDESCENT WATTS: 82
 RATED LIFE 10000 Hours
 OPERATING TEMPERATURE:
 -20°C (-4°F), 40°C (104°F)

Always consult a qualified electrician before installing any lighting product.



WESTERN DISTRIBUTION CENTER (HEADQUARTER)
 253 NORTH VINELAND AVE | CITY OF INDUSTRY, CA 91746
EASTERN DISTRIBUTION CENTER
 4200 SHIRLEY DR. | ATLANTA, GA 30336
 P. 626.956.4200 | F. 626.956.4225 | maximlighting.com