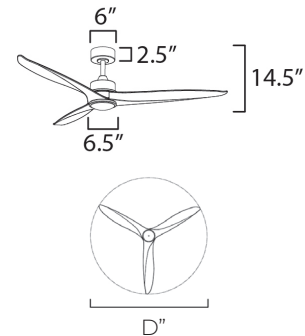


Solid Wood blades curve as they rotate around a center housing with LED light kit included. An additional cover plate is included if the light kit is not used. Select from stylish finish combinations including Natural Aged Brass with White Wood, Satin Nickel with Greywood, Black with Walnut wood, or Charcoal Bronze with Distressed Wood.

Indoor | DC Motor Option | Solid Wood Blades



FCT8883WT (Included)

DOWNRODS

Only available in powder coat finishes

- 12" FRD10012
- 18" FRD10018
- 24" FRD10024
- 36" FRD10036
- 48" FRD10048
- 60" FRD10060*
- 72" FRD10072*

*NAB finish not available in 60" and 72" Rods

Includes:
6" Downrod

LAMPING

DIMENSIONS

ENERGY INFO AT HIGH SPEED

88831
88833
88834

18W PCB LED COLOR TEMP: 27-30-40K, CRI: 90+ LUMENS: lm 1000 DELIVERED	52" D x 14.5" H BLADE: 3 x 25.5"	AIRFLOW: 5039 CFM AIRFLOW EFFICIENCY: 172 CFM / W ELECTRICITY USE: 11W
18W PCB LED COLOR TEMP: 27-30-40K, CRI: 90+ LUMENS: lm 975 DELIVERED	72" D x 14.5" H BLADE: 3 x 35.5"	AIRFLOW: 7199 CFM AIRFLOW EFFICIENCY: 239 CFM / W ELECTRICITY USE: 23W
18W PCB LED COLOR TEMP: 27-30-40K, CRI: 90+ LUMENS: lm 975 DELIVERED	80" D x 14.5" H BLADE: 3 x 39.5"	AIRFLOW: 6993 CFM AIRFLOW EFFICIENCY: 304 CFM / W ELECTRICITY USE: 18W

FINISH & MATERIAL

BLADES

- SATIN NICKEL / GREYWOOD (SN)
- NATURAL AGED BRASS / WHITEWOOD (NAB)
- BLACK / WALNUT (BK)
- CHARCOAL BRONZE / DRIFTWOOD (CHL)

MATERIAL: SOLID WOOD
BLADE: 12°



LIGHT KIT COVER PLATE (INCLUDED)



Always consult a qualified electrician before installing any lighting product.



WESTERN DISTRIBUTION CENTER (HEADQUARTER)
253 NORTH VINELAND AVE | CITY OF INDUSTRY, CA 91746
EASTERN DISTRIBUTION CENTER
101 GARDNER PARK | PEACHTREE CITY, GA 30269
P. 626.956.4200 | F. 626.956.4225 | maximlighting.com