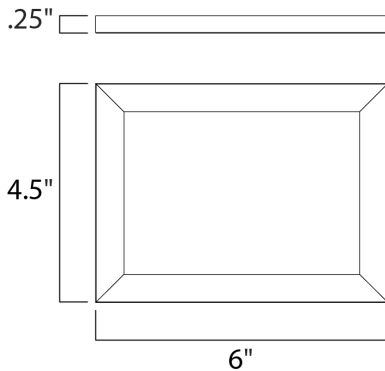




PRODUCT DESCRIPTION



MEASUREMENTS

DIMENSION : 6" L x 4.5" W x 0.25" H
MAX OAH : 0.25" OAH x 1.9" W
HANGING WEIGHT : 0.33 lb

LAMPING

INPUT VOLTAGE : 24V
LUMENS : 210 Rated (180 Del.)
BULB : 1 x 3W LED PCB Integrated , 3W Total
BULB INCLUDED : (Integrated)
DIMMABLE : Triac CL
CRI : 90+ CRI
COLOR_TEMP : 3000K

FINISHES OPTION



MATERIAL

Aluminum

RATINGS

cETLus
Dry Location



ADDITIONAL

RATED LIFE 40000 Hours
OPERATING TEMPERATURE:
-20°C (-4°F), 40°C (104°F)

PHOTOMETRIC: Report Found Online

Always consult a qualified electrician before installing any lighting product.



WESTERN DISTRIBUTION CENTER (HEADQUARTER)
253 NORTH VINELAND AVE | CITY OF INDUSTRY, CA 91746

EASTERN DISTRIBUTION CENTER
101 GARDNER PARK | PEACHTREE CITY, GA 30269

P. 626.956.4200 | F. 626.956.4225 | maxilighting.com